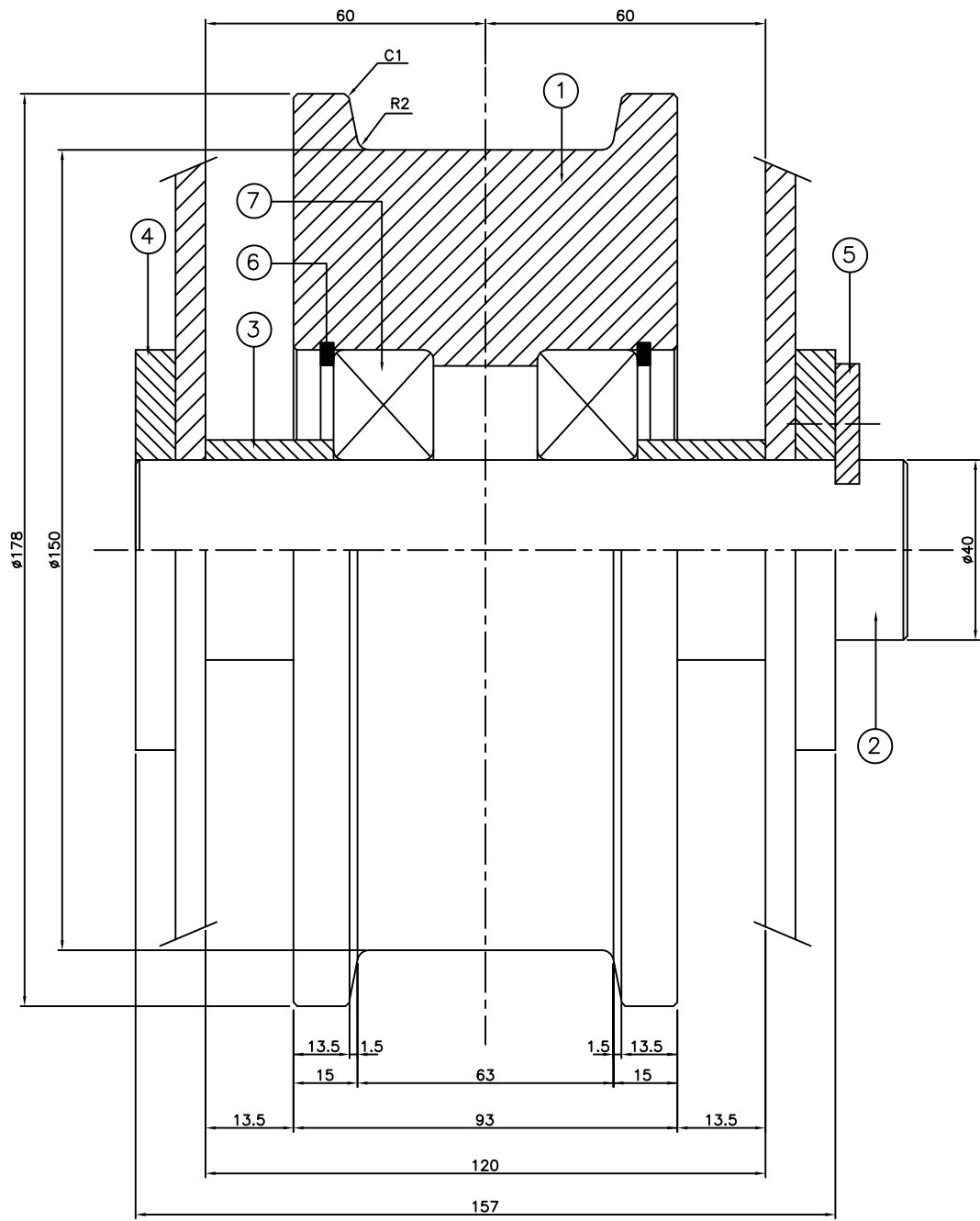
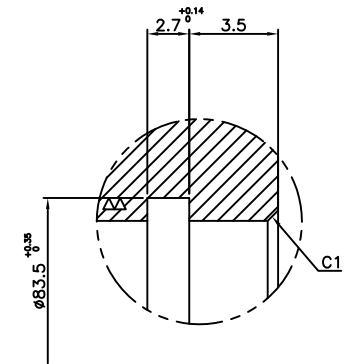
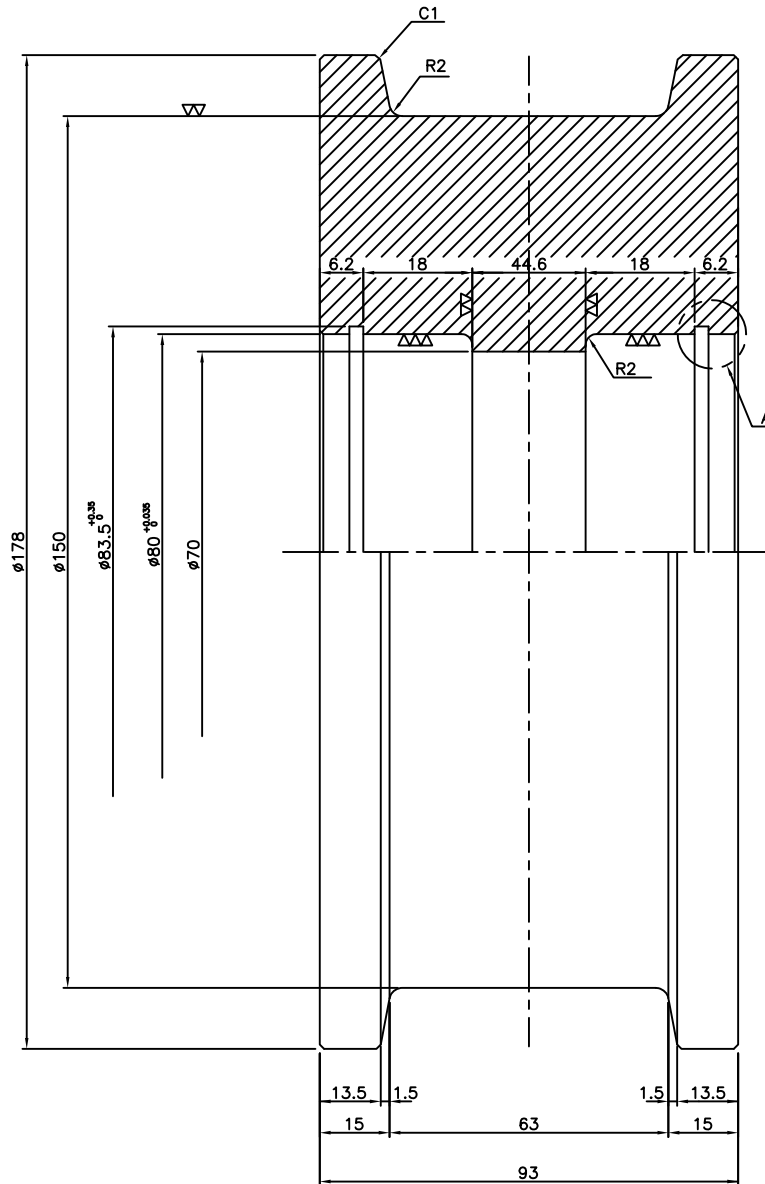


7	BEARING	PUR-	4			#6208ZZ
6	SNAP RING	PUR-	4			
5	KEY PLATE	SS41	2			
4	KEY BASE PLATE	SS41	4			
3	COLLAR	SS41	4			
2	SHAFT	S45C	2			
1	DRIVING WHEEL	S45C	2			
NO.	DESCRIPTION	MTL	SET QTY	UNIT	TOTAL WEIGHT KG	REMARK
DATE	2014. 02	SCALE	N/S	DRAWING No.	JD-150-D	
DRAWN BY	J. H. GWAK	DESIGNED BY	J.H,GWAK	CHECKED BY		APPROVED BY D.J,SIN
PROJECT TITLE				DRAWING TITLE		
TRAVELLING DRIVING DRAWING				Ø150		



7	BEARING	PUR-	4			#6208ZZ
6	SNAP RING	PUR-	4			
5	KEY PLATE	SS41	2			
4	KEY BASE PLATE	SS41	4			
3	COLLAR	SS41	4			
2	SHAFT	S45C	2			
1	FOLLOW WHEEL	S45C	2			
NO.	DESCRIPTION	MTL	SET QTY	UNIT	TOTAL WEIGHT KG	REMARK
DATE	2014. 02	SCALE	1/1	DRAWING No.	JD-150-F	
DRAWN BY	J. H. GWAK	DESIGNED BY	J.H,GWAK	CHECKED BY		APPROVED BY
						D.J,SIN
PROJECT TITLE				DRAWING TITLE		
TRAVELLING FOLLOW DRAWING				Ø150		

① ∇(∇∇, ∇∇∇)

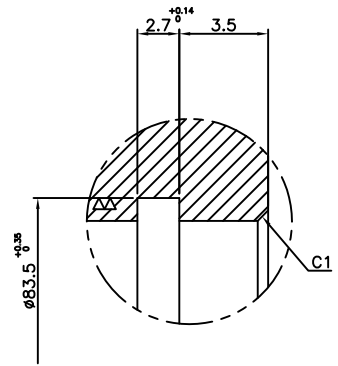
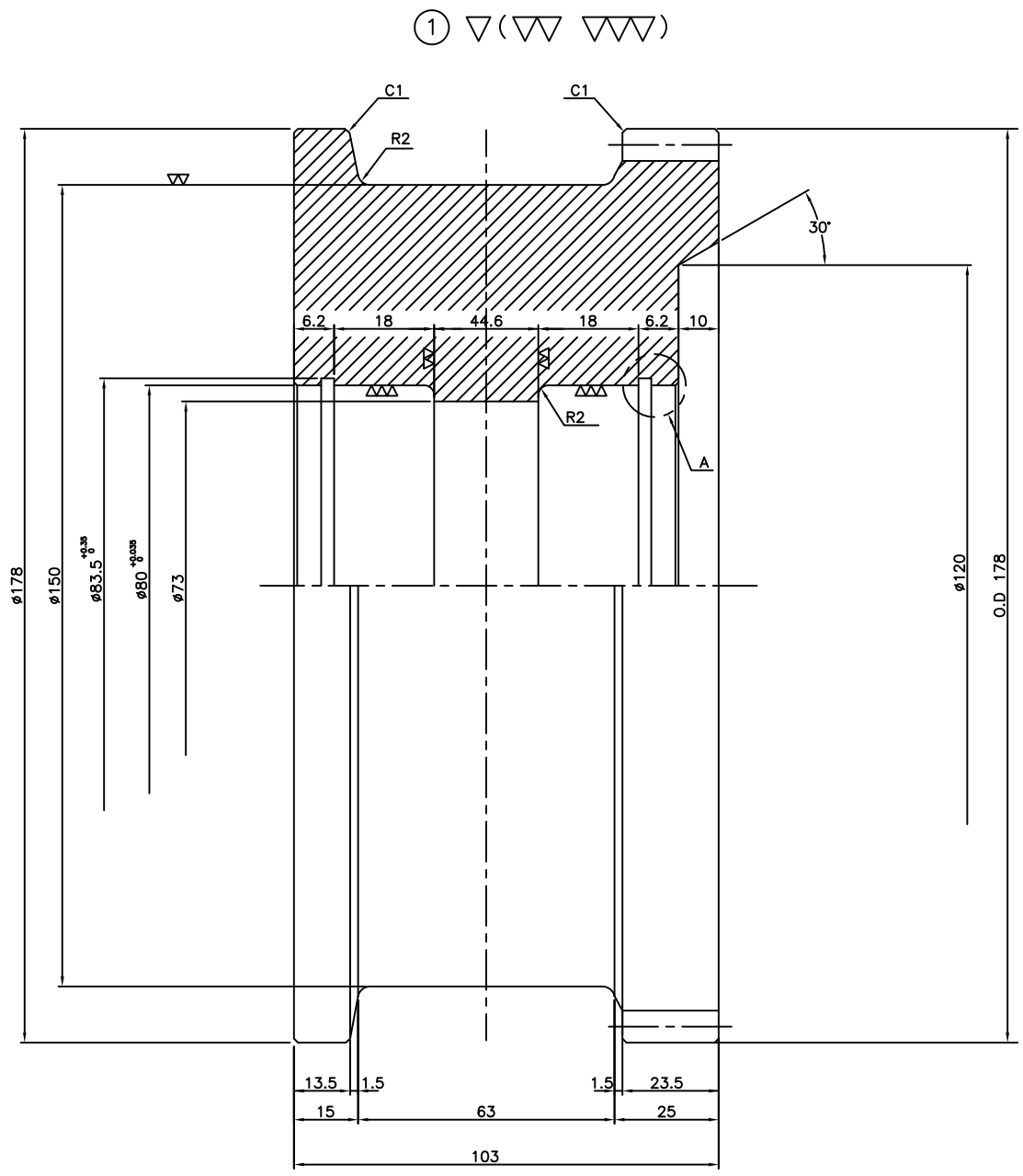


DETAIL A

NO.	DESCRIPTION	MTL	SET QTY	SET	UNIT	TOTAL WEIGHT KG	REMARK
1	FOLLOW WHEEL	S45C	2				
DATE	2014. 02	SCALE	N/S	DRAWING No.	JD-150-F1		
DRAWN BY	J. H. GWAK	DESIGNED BY	J.H,GWAK	CHECKED BY	APPROVED BY D.J,SIN		
PROJECT TITLE				DRAWING TITLE			
TRAVELLING FOLLOW DRAWING				Ø150			



JINDO HOIST CRANE.CO.LTD

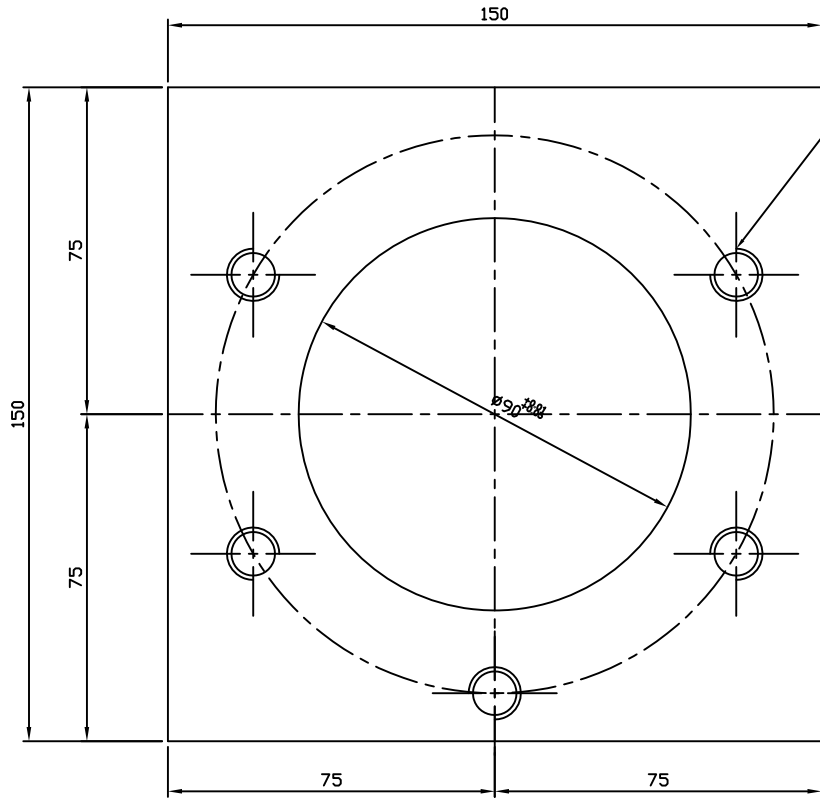


DETAIL A

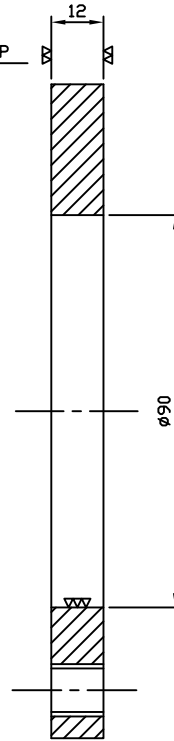
PINION SPECIFICATION	
Module	4
No. of Teeth	42T
Press Angle	20°
전위 P.C.D	ø170
Displacement over a given No. of teeth	5E) 56.175 ^{-0.08} _{-0.32}
Heart treatment	HRC40~45
전위계수	+0.25

NO.	DESCRIPTION	MTL	SET QTY	SET WEIGHT	UNIT	TOTAL WEIGHT	REMARK
1	DRIVING WHEEL	S45C	2				
DATE	2014. 02	SCALE	N/S	DRAWING No.	JD-150-D1		
DRAWN BY	J. H. GWAK	DESIGNED BY	J.H.GWAK	CHECKED BY	APPROVED BY D.J.SIN		
PROJECT TITLE				DRAWING TITLE			
TRAVELLING DRIVING DRAWING				ø150			

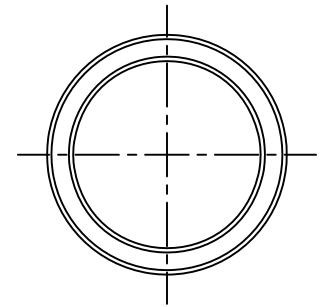
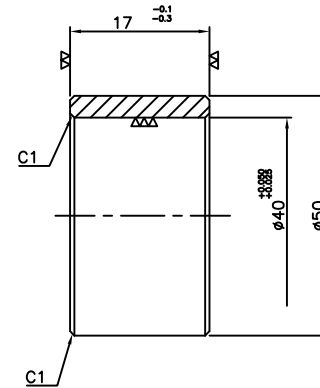
① ∇(∇∇, ∇∇∇)



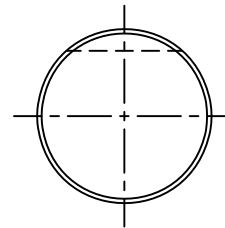
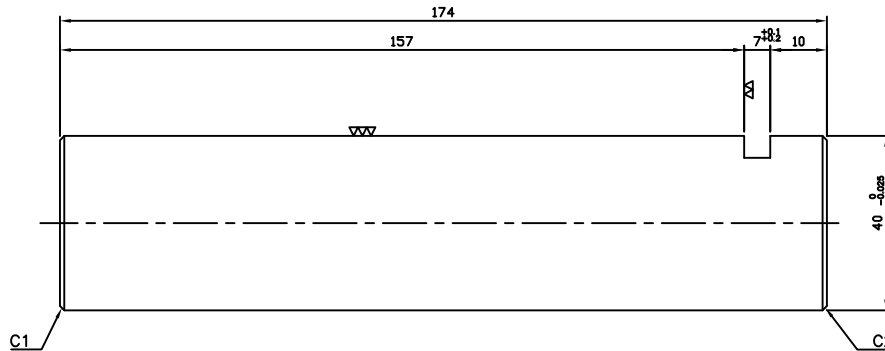
5-M12 TAP
(원주 6등분)



③ ∇(∇∇, ∇∇∇)



② ∇(∇∇, ∇∇∇)



3	COLLAR	SS41	4	4				
2	SHAFT	S45C	2	2				
1	MOTOR PLAET	SS400	1	2				
NO.	DESCRIPTION	MTL	SET QTY	UNIT	TOTAL WEIGHT	REMARK		
DATE	2014. 02	SCALE	N/S	DRAWING No.	JD-150-P			
DRAWN BY	J. H. GWAK	DESIGNED BY	J.H.GWAK	CHECKED BY		APPROVED BY	D.J.SIN	
PROJECT TITLE				DRAWING TITLE				
TRAVELLING DRIVING PLAET DRAWING				Ø150				

