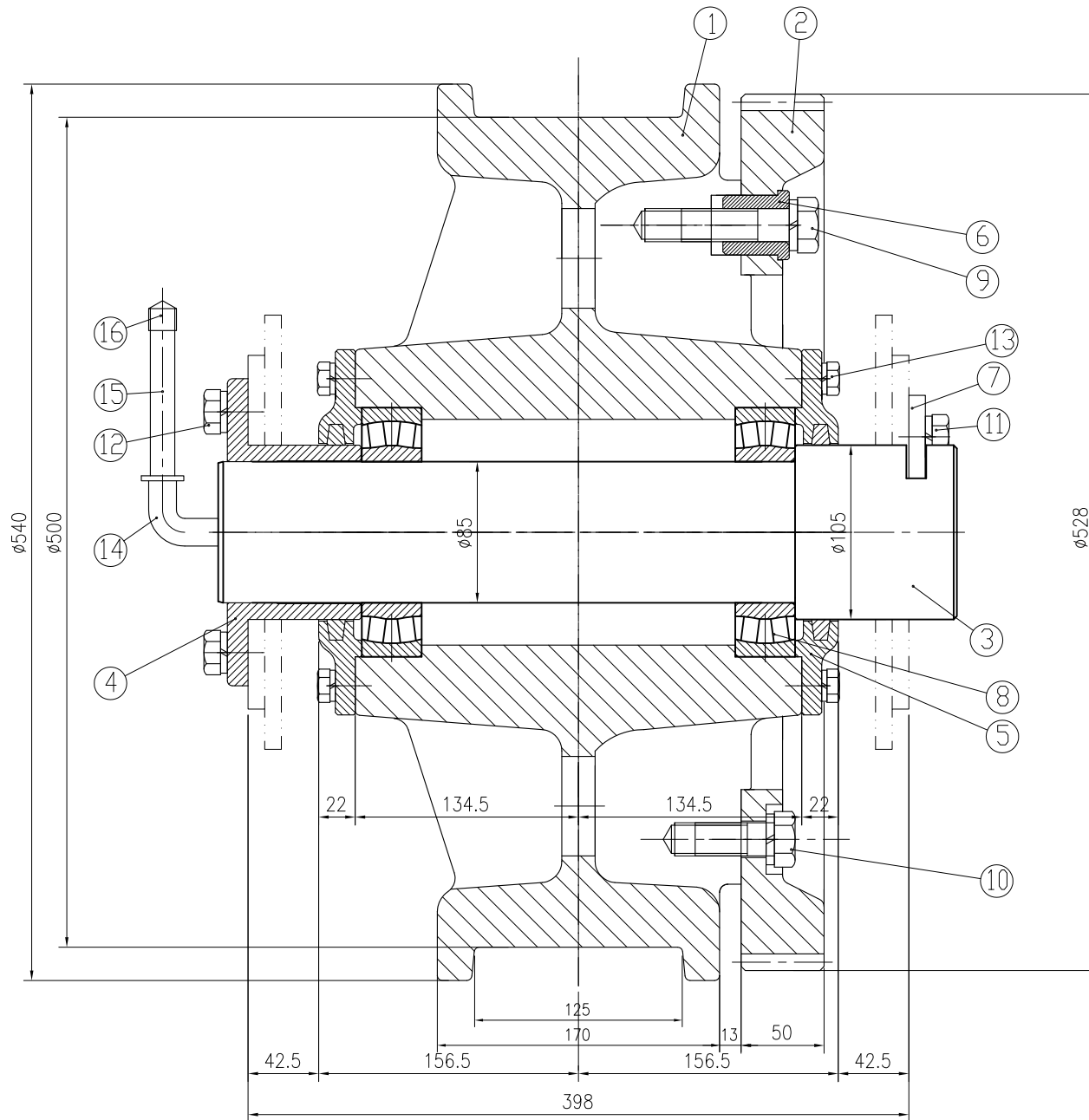


12	GREASE NIPPLE	PURCHASE	2			PT1/4"
11	PIPE	S.G.P	2			3/8"
10	ELBOW	PURCHASE	2			PT3/8"
9	BOLT,SW	4T	24			M12×35L×25S
8	BOLT,SW	4T	8			M16×35L×25S
7	BOLT,SW	4T	4			M16×35L×25S
6	BEARING	PURCHASE	4			#22217
5	KEY PLATE	SS41	2			JD-φ500-K
4	BEARING COVER	SS41 OR FC20	4			JD-φ500-BC
3	COLLAR	FCD40	2			JD-φ500-C-73KG
2	SHAFT	S45CN	2			JD-φ500-S-73KG
1	FOLLOWING WHEEL	SCMn2A	2			JD-φ500-F1-73KG
	ASS'Y OF FOLLOWING WHEEL		2			
NO	DESCRIPTION	MATERIAL	Q'TY	WEIGHT		REMARKS
				UNIT	TOTAL	

DATE : 2014. 02	SCALE : N/S	DRAWING No. :	JD-500-73KG-F
DRAWN BY J. H. GWAK	DESIGNED BY J,H,GWAK	CHECKED BY	APPROVED BY D,J,SIN
PROJECT TITLE TRAVELLING FOLLOWING DRAWING		DRAWING TITLE φ450	



JINDO HOIST CRANE.CO.LTD

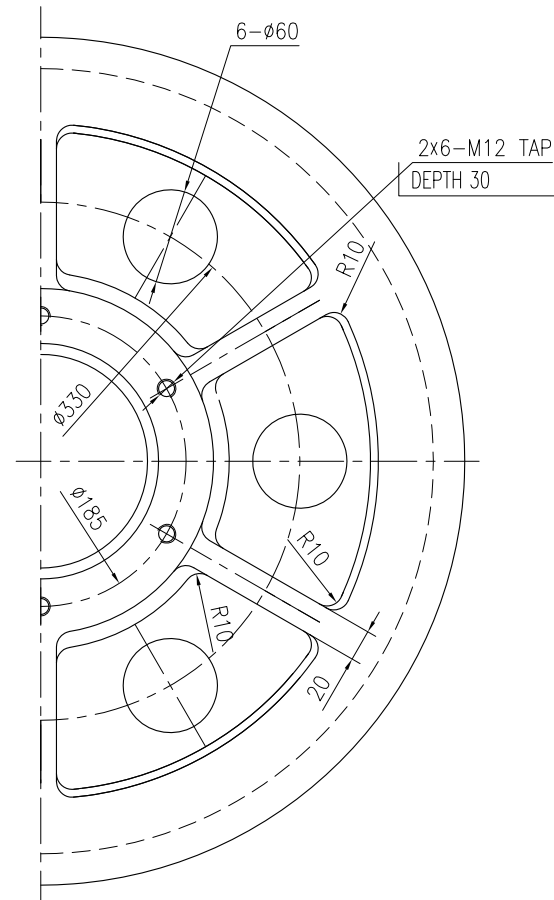
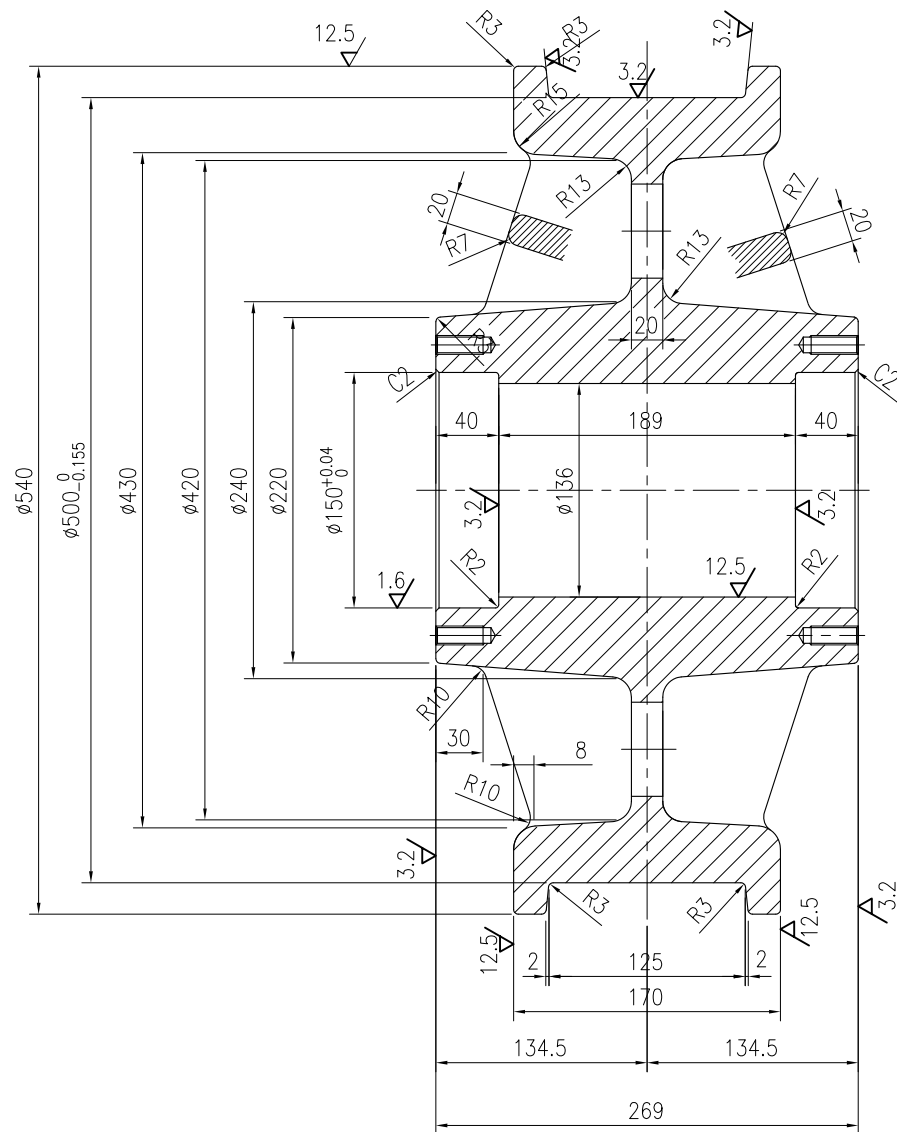


16	GREASE NIPPLE	PURCHASE	2			PT1/4"
15	PIPE	S.G.P	2			3/8"
14	ELBOW	PURCHASE	2			PT3/8"
13	BOLT,SW	4T	24			M12x 35Lx 25S
12	BOLT,SW	4T	8			M16x 35Lx 25S
11	BOLT,SW	4T	4			M16x 35Lx 25S
10	W/S		6			
9	HIGHTENSION BOLT A		6			
8	BEARING	PURCHASE	4			#22217
7	KEY PLATE	SS41	2			JD-φ500-K
6	BUSH	S45CN	6			JD-φ500-BU
5	BEARING COVER	SS41 OR FC20	4			JD-φ500-BC
4	COLLAR	FCD40	2			JD-φ500-C-73KG
3	SHAFT	S45CN	2			JD-φ500-S-73KG
2	WHEEL GEAR	SC49	2			JD-φ500-GR
1	DRIVING WHEEL	SCMn2A	2			JD-φ500-D1-73KG
	ASSY OF DRIVING WHEEL		2			

NO	DESCRIPTION	MATERIAL	Q'TY	WEIGHT		REMARKS
				UNIT	TOTAL	
				KG	KG	
DATE : 2014. 02		SCALE : N/S		DRAWING No. : JD-500-73KG-D		
DRAWN BY J. H. GWAK		DESIGNED BY J,H,GWAK		CHECKED BY		APPROVED BY D,J,SIN
PROJECT TITLE TRAVELLING DRIVING DRAWING				DRAWING TITLE φ500		



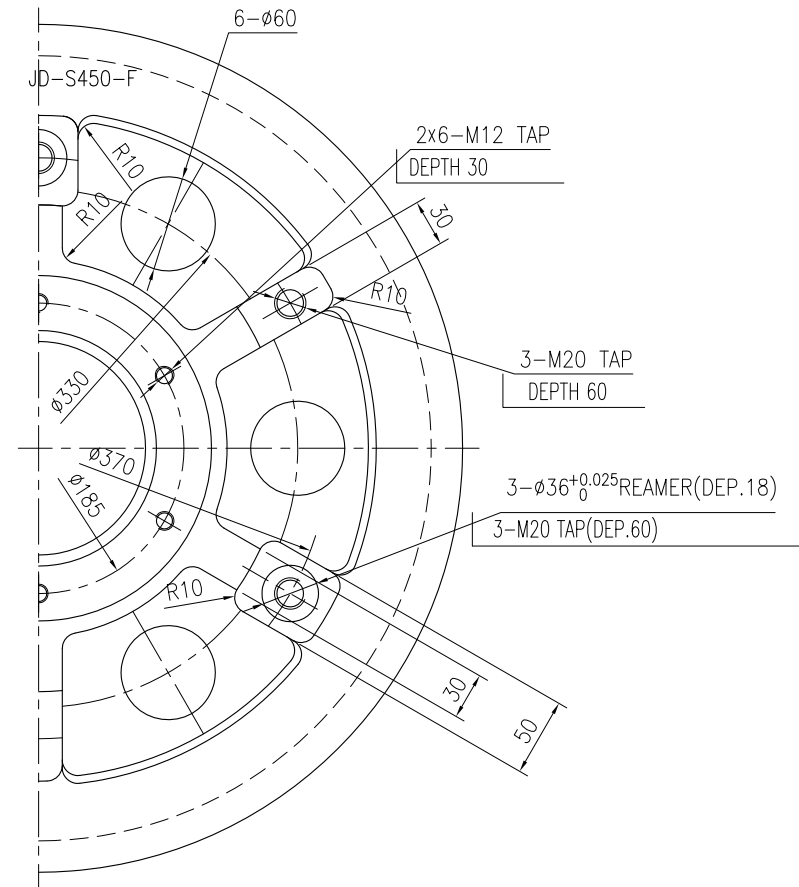
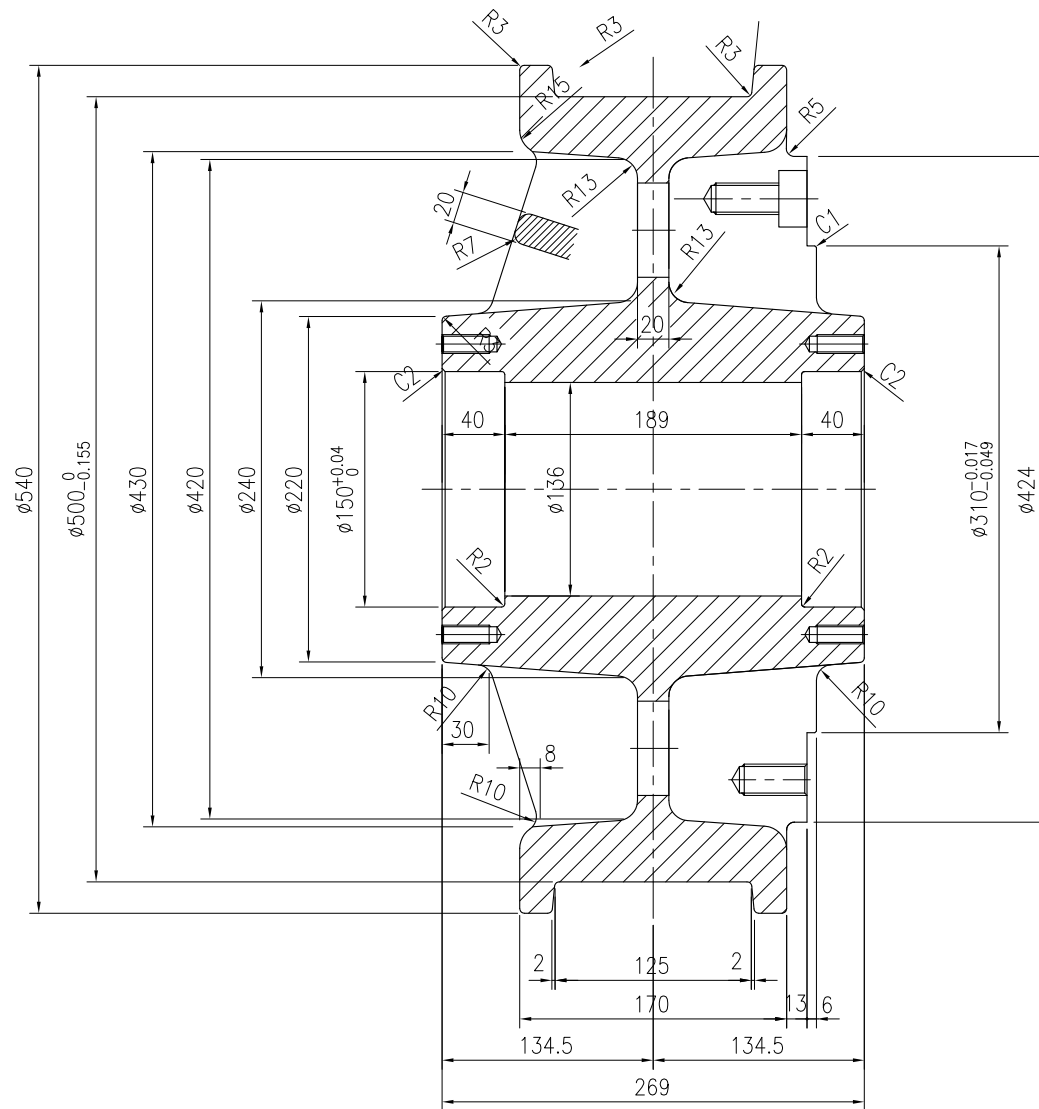
JINDO HOIST CRANE.CO.LTD



NO	DESCRIPTION	MATERIAL	Q'TY	SIZE	REMARKS
	FOLLOWING WHEEL	SCMn2A	2		
DATE : 2014. 02	SCALE : N/S	DRAWING No. : JD-500-73KG-F1			
DRAWN BY J. H. GWAK	DESIGNED BY J,H,GWAK	CHECKED BY	APPROVED BY D,J,SIN		
PROJECT TITLE TRAVELLING FOLLOWING DRAWING			DRAWING TITLE ø500		



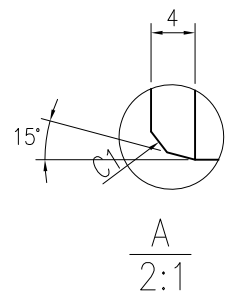
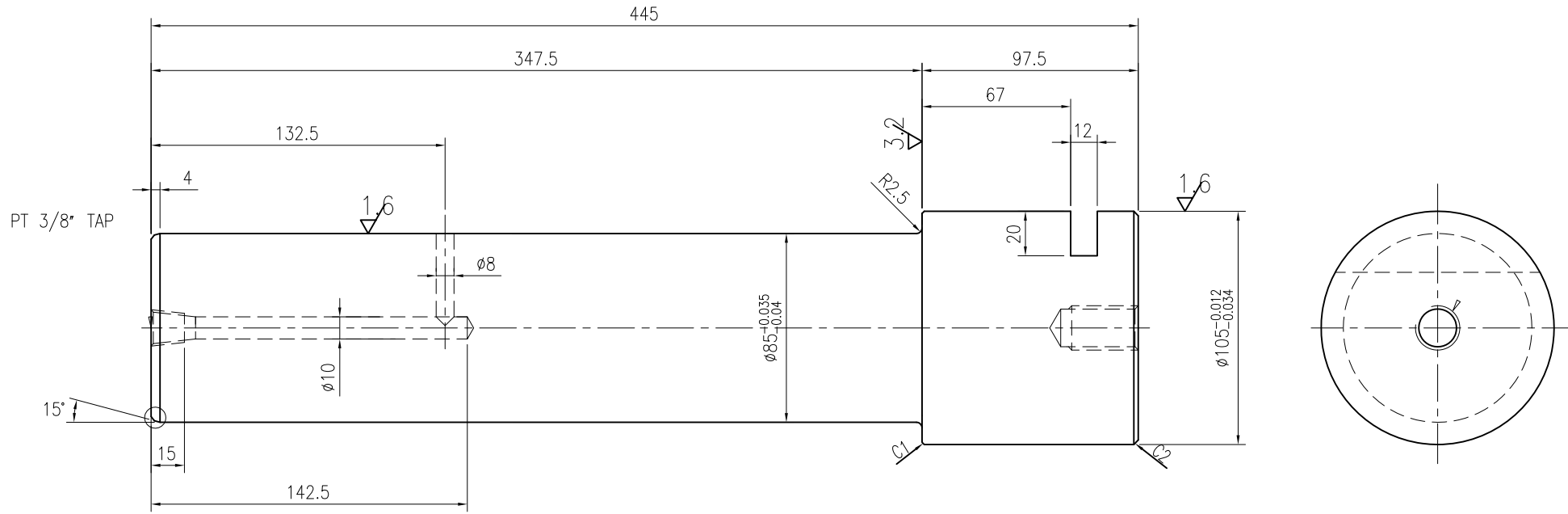
JINDO HOIST CRANE.CO.LTD



NO	DESCRIPTION	MATERIAL	Q'TY	SIZE	REMARKS
	DRIVING WHEEL	SCMn2A	2		
DATE : 2014. 02	SCALE : N/S	DRAWING No. : JD-500-73KG-D1			
DRAWN BY J. H. GWAK	DESIGNED BY J,H,GWAK	CHECKED BY	APPROVED BY D,J,SIN		
PROJECT TITLE TRAVELLING DRIVING DRAWING			DRAWING TITLE $\phi 500$		



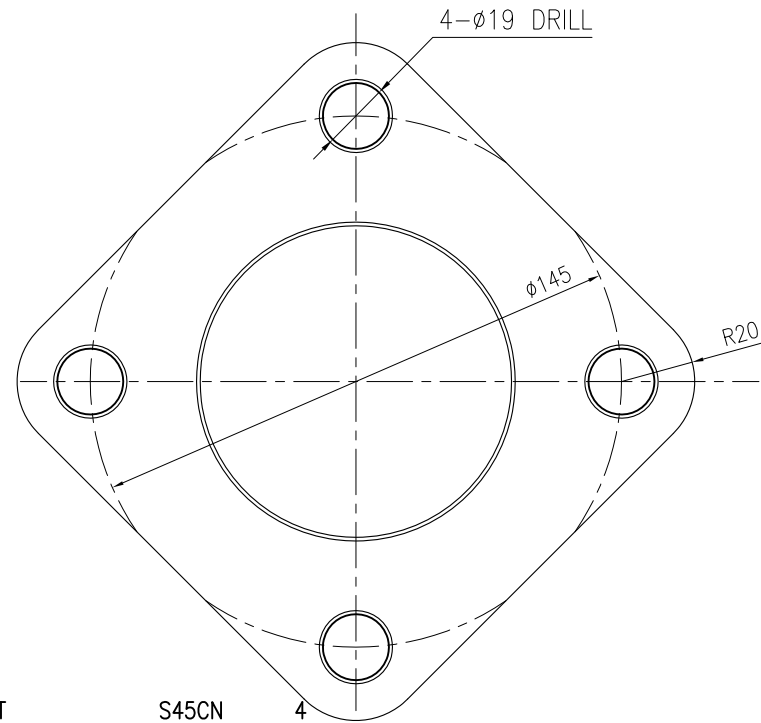
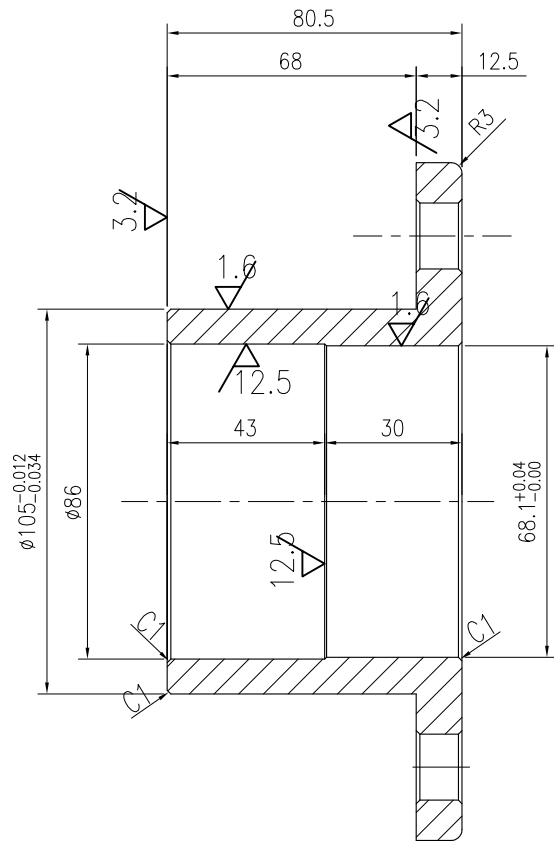
JINDO HOIST CRANE.CO.LTD



	SHAFT	S45CN	4		
NO	DESCRIPTION	MATERIAL	Q'TY	SIZE	REMARKS
	DATE : 2014. 02	SCALE : N/S	DRAWING No. : JD-500-73KG-S		
	DRAWN BY J. H. GWAK	DESIGNED BY J,H,GWAK	CHECKED BY	APPROVED BY D,J,SIN	
PROJECT TITLE TRAVELLING SHAFT DRAWING			DRAWING TITLE ø500		



JINDO HOIST CRANE.CO.LTD



20.5

JD-S450-S

NO	DESCRIPTION	MATERIAL	Q'TY	SIZE	REMARKS
	COLLAR	FCD40	4		
DATE : 2014. 02		SCALE : N/S		DRAWING No. : JD-500-73KG-C	
DRAWN BY J. H. GWAK		DESIGNED BY J,H,GWAK		CHECKED BY	APPROVED BY D,J,SIN
PROJECT TITLE TRAVELLING COLLAR DRAWING			DRAWING TITLE $\phi 500$		



JINDO HOIST CRANE.CO.LTD