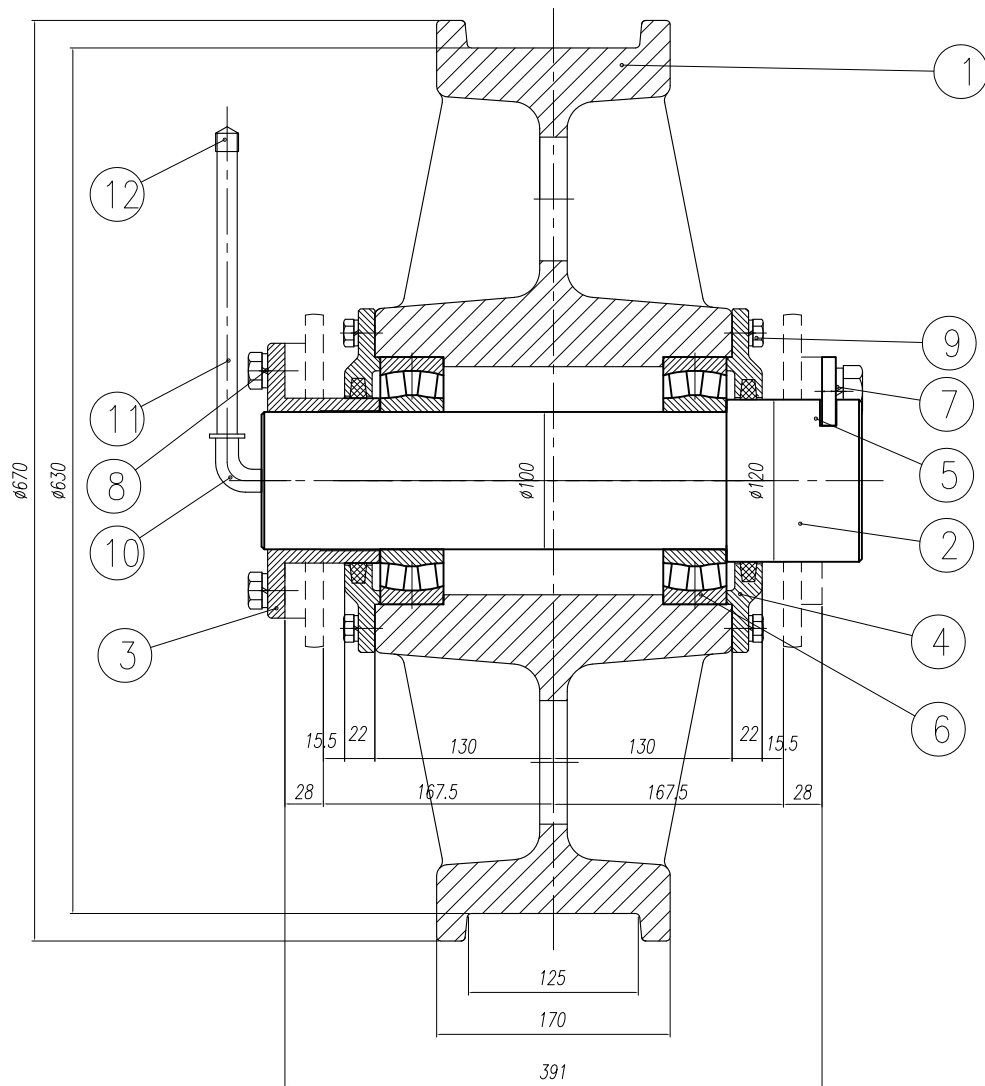


16	GREASE NIPPLE	PURCHASE	2			PT1/4"
15	PIPE	S.G.P	2			3/8"
14	ELBOW	PURCHASE	2			PT3/8"
13	BOLT,SW	4T	24			M12× 40L× 30S
12	BOLT,SW	4T	8			M16× 35L× 25S
11	BOLT,SW	4T	4			M16× 35L× 25S
10	W/S		6			
9	HIGHTENSION BOLT		6			
8	BEARING	PURCHASE	4			#22220
7	KEY PLATE	SS41	2			JD- ϕ 630-K
6	BUSH	S45CN	6			JD- ϕ 630-BU
5	BEARING COVER	SS41	4			JD- ϕ 630-BC
4	COLLAR	FCD40	2			JD- ϕ 630-C
3	SHAFT	S45CN	2			JD- ϕ 630-S
2	WHEEL GEAR	SC49	2			JD- ϕ 630-GR
1	DRIVING WHEEL	SCMn2A	2			JD- ϕ 630-73KG-D
	ASS'Y OF DRIVING WHEEL		2			

NO	DESCRIPTION	MATERIAL	Q'TY	UNIT	TOTAL	REMARKS
				WEIGHT	KG	
DATE : 2014. 02		SCALE : N/S		DRAWING No. :		JD-630-73KG-D
DRAWN BY J. H. GWAK		DESIGNED BY J,H,GWAK		CHECKED BY		APPROVED BY D,J,SIN
PROJECT TITLE TRAVELLING DRIVING DRAWING				DRAWING TITLE ϕ 630		



JINDO HOIST CRANE.CO.LTD

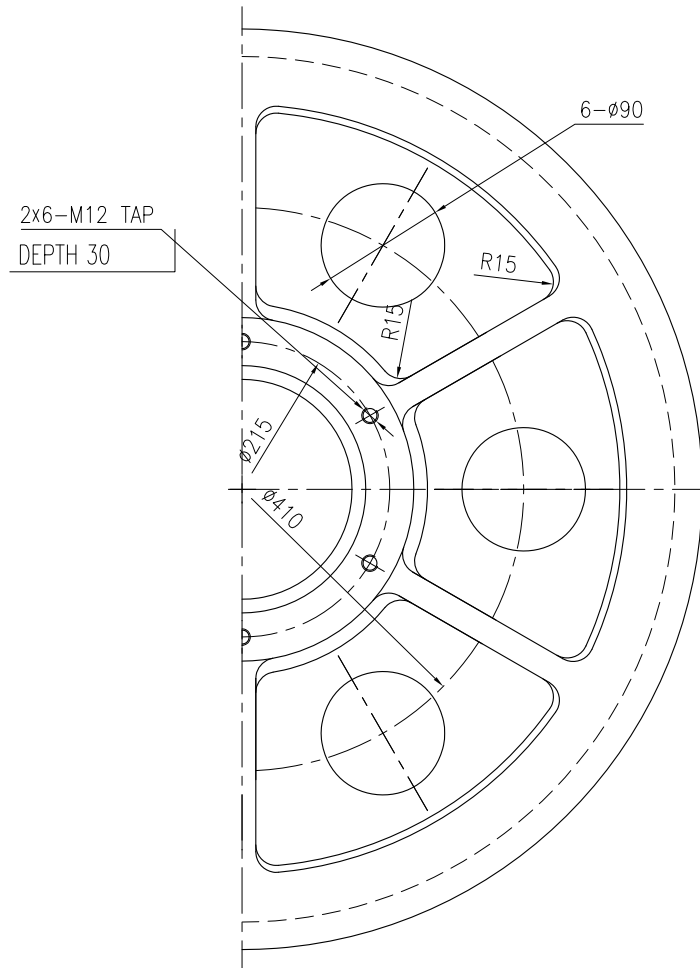
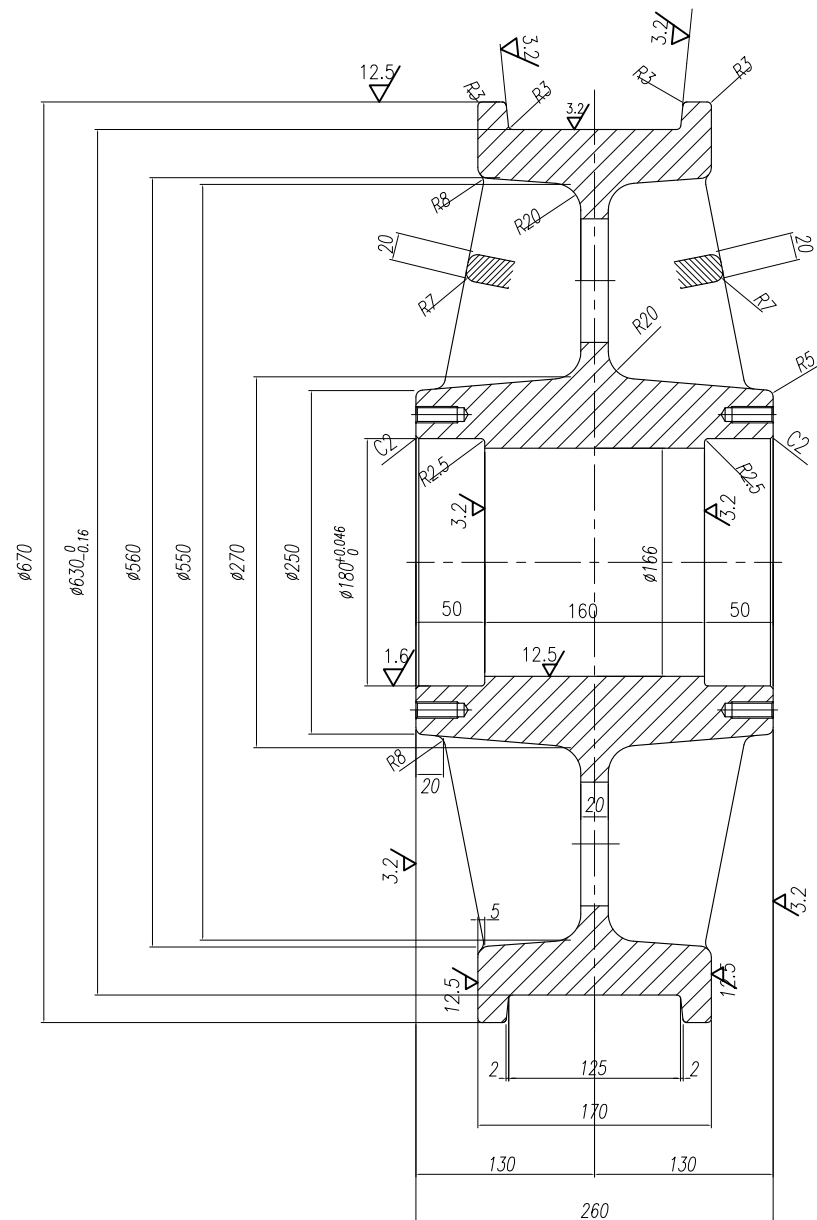


12	GREASE NIPPLE	PURCHASE	2			PT1/4"
11	PIPE	S.G.P	2			3/8"
10	ELBOW	PURCHASE	2			PT3/8"
9	BOLT,SW	4T	24			M12× 40L× 30S
8	BOLT,SW	4T	8			M16× 35L× 25S
7	BOLT,SW	4T	4			M16× 35L× 25S
6	BEARING	PURCHASE	4			#22220
5	KEY PLATE	SS41	2			JD-Φ 630-K
4	BEARING COVER	SS41	4			JD-Φ 630-BC
3	COLLAR	FCD40	2			JD-Φ 630-C
2	SHAFT	S45CN	2			JD-Φ 630-S
1	FOLLOWING WHEEL	SCMn2A	2			JD-Φ 630-73KG-F
	ASS'Y OF FOLLOWING WHEEL		2			

NO	DESCRIPTION	MATERIAL	Q'TY	UNIT	TOTAL WEIGHT	REMARKS
				KG		
DATE : 2014. 02		SCALE : N/S		DRAWING No. :		JD-630-73KG-F
DRAWN BY J. H. GWAK		DESIGNED BY J,H,GWAK		CHECKED BY		APPROVED BY D,J,SIN
PROJECT TITLE TRAVELLING FOLLOWING DRAWING				DRAWING TITLE ø630		



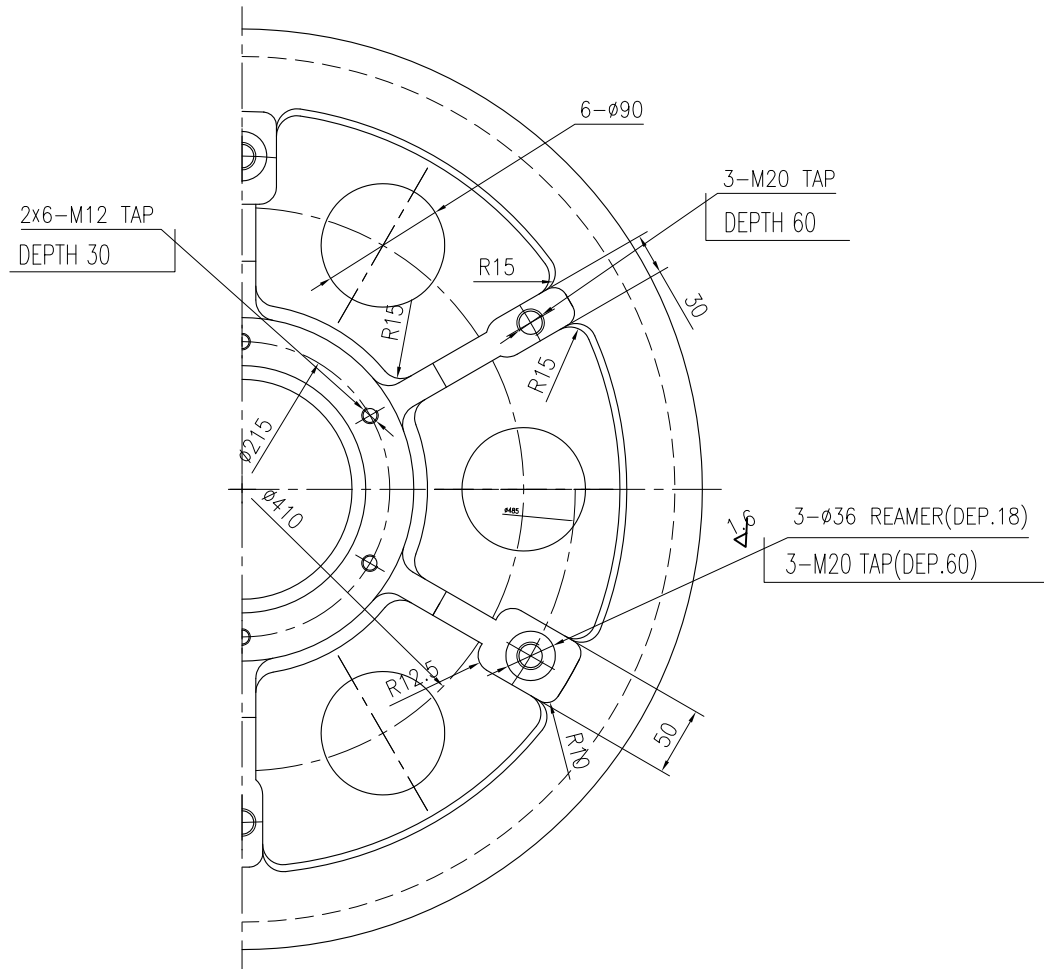
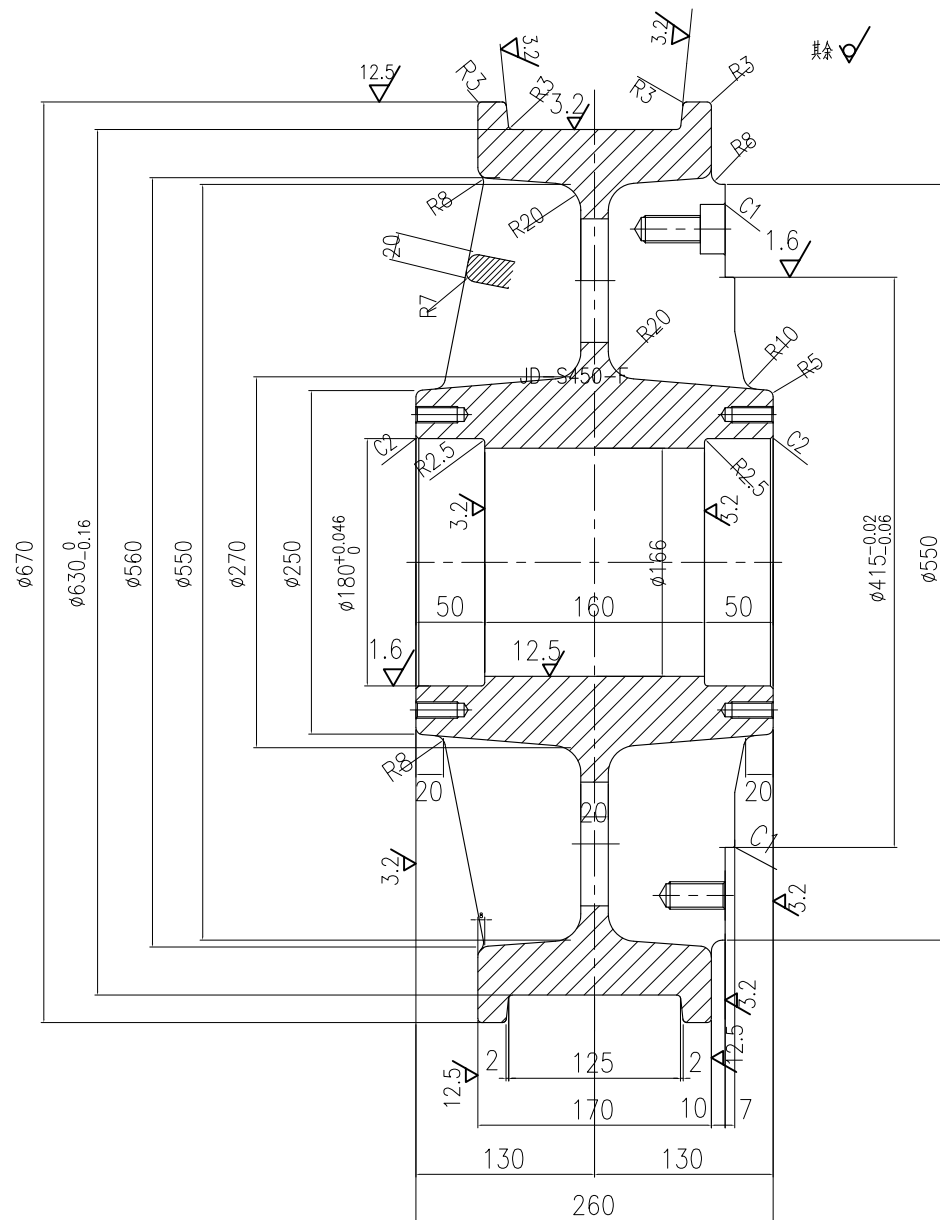
JINDO HOIST CRANE.CO.LTD



NO	DESCRIPTION	MATERIAL	Q'TY	SIZE	REMARKS
	FOLLOWING WHEEL	SCMn2A	2		
DATE : 2014. 02	SCALE : N/S	DRAWING No. :		JD-630-73KG-F1	
DRAWN BY J. H. GWAK	DESIGNED BY J,H,GWAK	CHECKED BY	APPROVED BY D,J,SIN		
PROJECT TITLE TRAVELLING FOLLOWING DRAWING			DRAWING TITLE φ630		



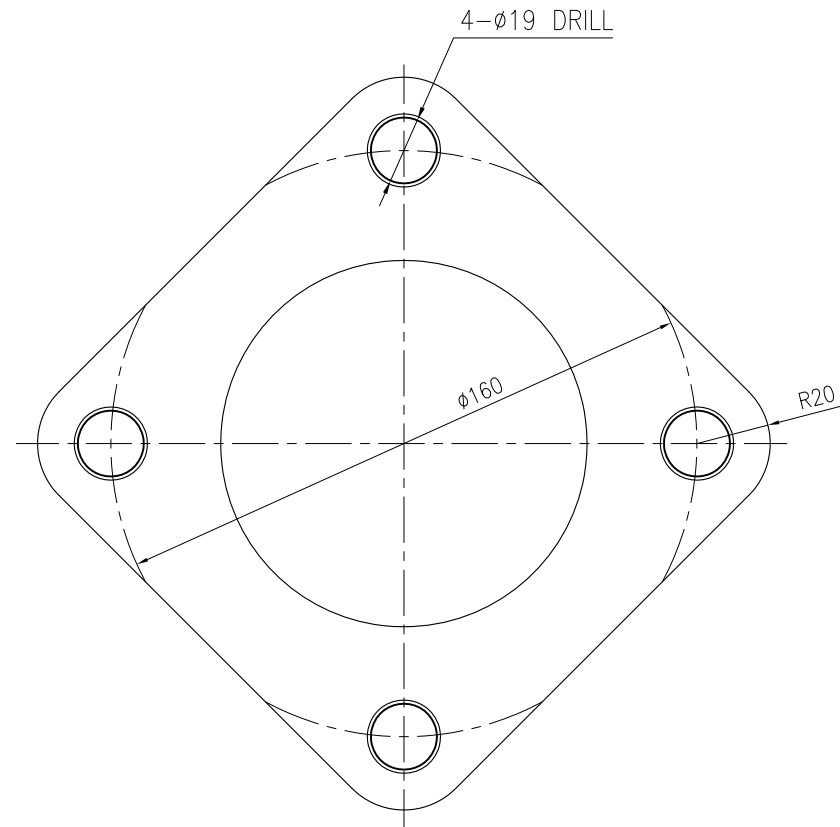
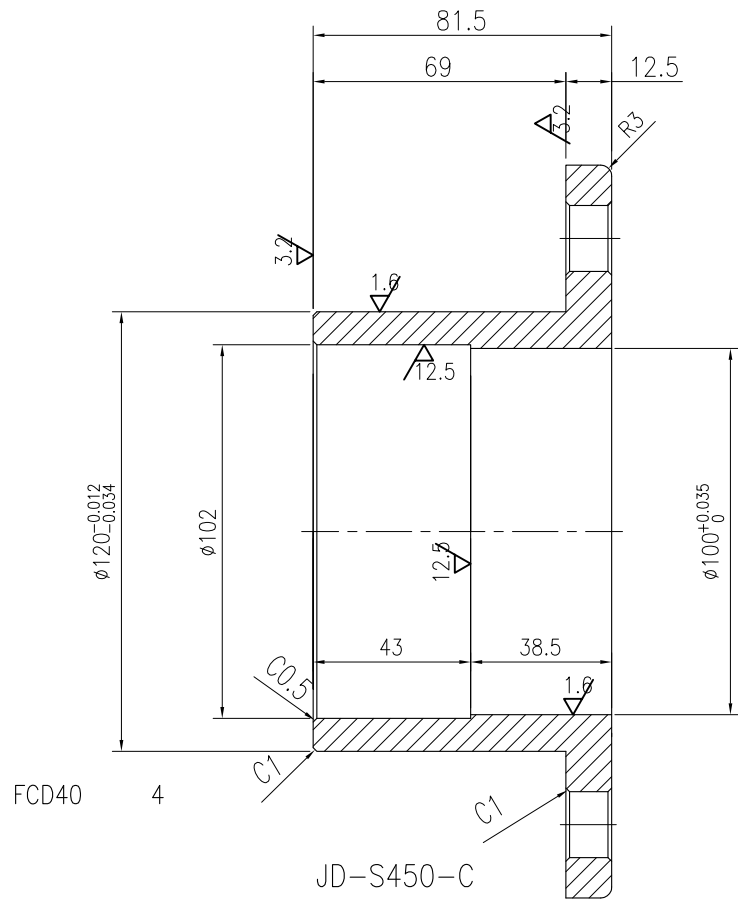
JINDO HOIST CRANE.CO.LTD



NO	DESCRIPTION	MATERIAL	Q'TY	SIZE	REMARKS
	DRIVING WHEEL	SCMn2A	2		
DATE : 2014. 02	SCALE : N/S	DRAWING No. : JD-630-73KG-D1			
DRAWN BY J. H. GWAK	DESIGNED BY J,H,GWAK	CHECKED BY	APPROVED BY D,J,SIN		
PROJECT TITLE TRAVELLING DRIVING DRAWING			DRAWING TITLE φ630		



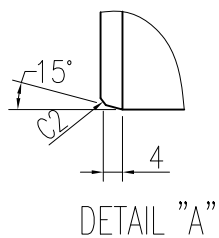
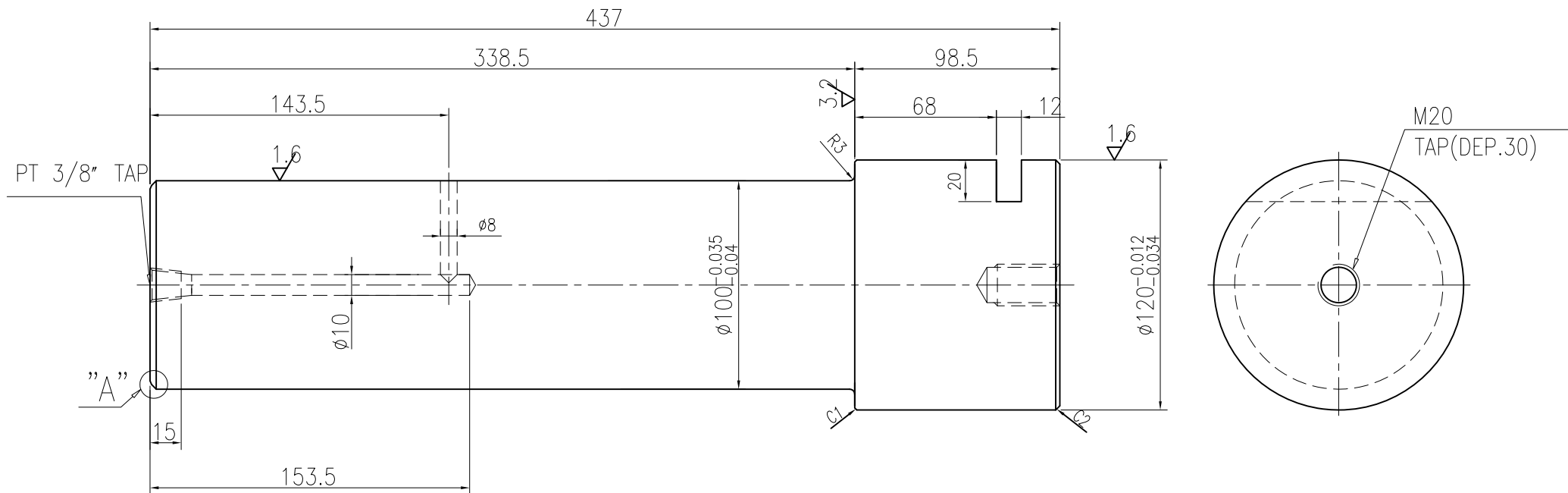
JINDO HOIST CRANE.CO.LTD



NO	DESCRIPTION	MATERIAL	Q'TY	SIZE	REMARKS
	COLLAR	FCD40	4		
DATE : 2014. 02	SCALE : N/S	DRAWING No. :		JD-630-73KG-C	
DRAWN BY J. H. GWAK	DESIGNED BY J,H,GWAK	CHECKED BY		APPROVED BY D,J,SIN	
PROJECT TITLE TRAVELLING COLLAR DRAWING			DRAWING TITLE $\phi 630$		



JINDO HOIST CRANE.CO.LTD



NO	DESCRIPTION	MATERIAL	Q'TY	SIZE	REMARKS
	SHAFT	S45CN	4		
DATE : 2014. 02	SCALE : N/S	DRAWING No. :		JD-630-73KG-C	
DRAWN BY J. H. GWAK	DESIGNED BY J,H,GWAK	CHECKED BY		APPROVED BY D,J,SIN	
PROJECT TITLE TRAVELLING SHAFT DRAWING			DRAWING TITLE ø630		



JINDO HOIST CRANE.CO.LTD