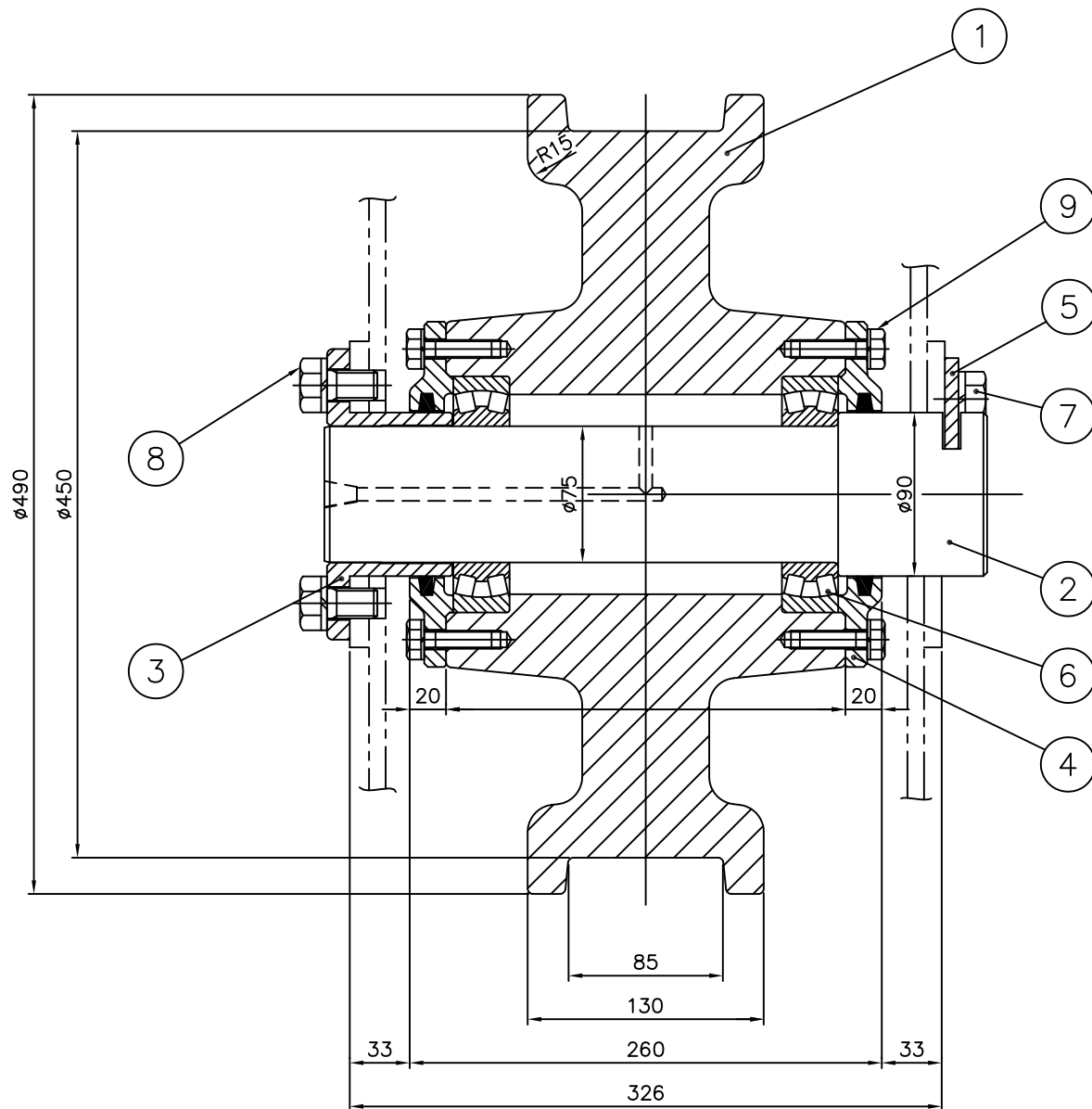


13	BOLT,SW	4T	24		M10x35 ^L x25 ^S		
12	BOLT,SW	4T	8		M16x35 ^L x25 ^S		
11	BOLT,SW	4T	4		M20x30 ^L x25 ^S		
10	H.T BOLT B	S20C	6		HT BOLT M16		
9	H.T BOLT A	S20C	6		HT BOLT M16		
8	BEARING	PUR-CHASE	4		#22215		
7	KEY PLATE	SS41	2		JD-φ450-K		
6	BUSH	S45CN	6		JD-φ450-BU		
5	BEARING COVER	SS41 OR FC20	4		JD-φ450-BC		
4	COLLAR	FCD40	2		JD-φ450-C		
3	SHAFT	S45CN	2		JD-φ450-S		
2	WHEEL GEAR	SC49	2		JD-φ450-GR		
1	DRIVING WHEEL	SSWQ1R	2		JD-φ450-D1		
	ASS'Y OF DRIVING WHEEL	SSWQ1R	2				
NO	DESCRIPTIONS	MT'L	SET QTY	SET QTY	UNIT WEIGHT KG	TOTAL	REMARKS
DATE : 2014. 02		SCALE : N/S		DRAWING No. : JD-SSWQ-450-D			
DRAWN BY J. H. GWAK		DESIGNED BY J,H,GWAK		CHECKED BY		APPROVED BY D,J,SIN	
PROJECT TITLE TRAVELLING DRIVING DRAWING				DRAWING TITLE φ450			



JINDO HOIST CRANE.CO.LTD

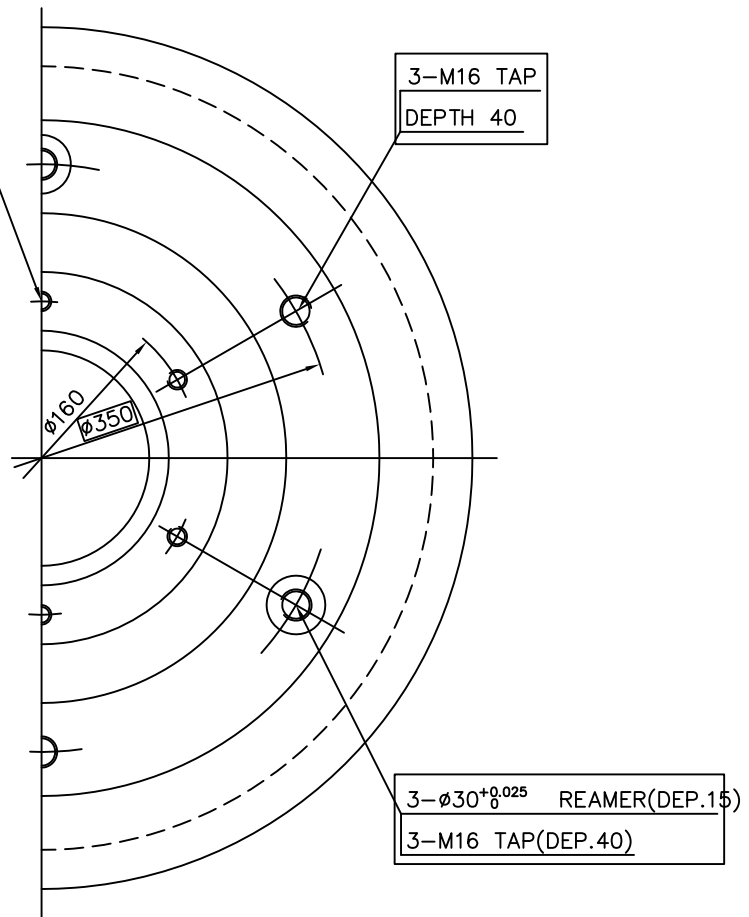
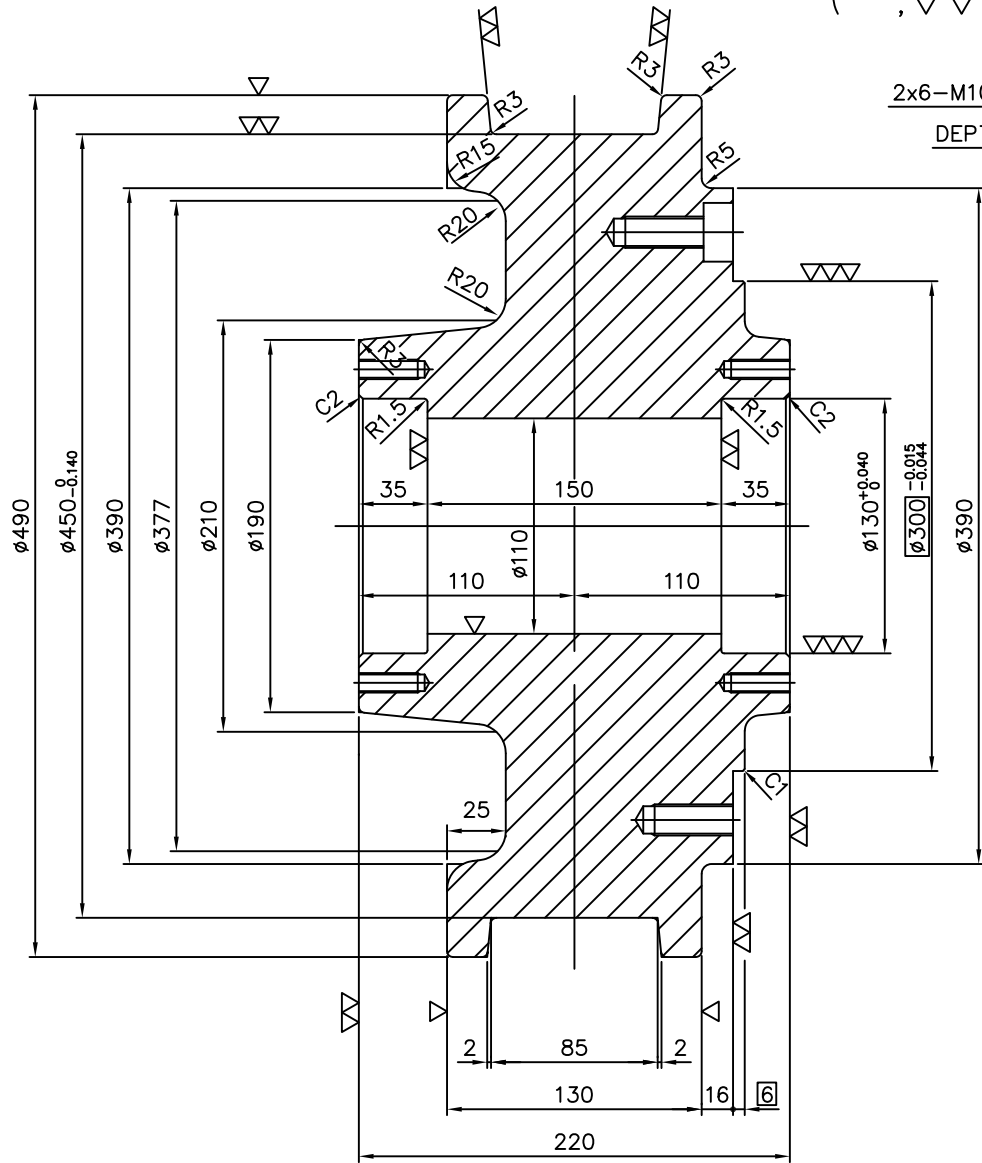


9	BOLT,SW	4 T	24			M10x35 ^L x25 ^S	
8	BOLT,SW	4 T	8			M16x35 ^L x25 ^S	
7	BOLT,SW	4 T	4			M20x30 ^L x25 ^S	
6	BEARING	PUR-CHASE	4			#22215	
5	KEY PLATE	SS41	2			JD-φ450-K	
4	BEARING COVER	SS41 OR FC20	4			JD-φ450-BC	
3	COLLAR	FCD40	2			JD-φ450-C	
2	SHAFT	S45CN	2			JD-φ450-S	
1	FOLLOWING WHEEL	SSWQ1R	2			JD-φ450-F	
	ASS'Y OF FOLLOWING WHEEL	-	2				
NO	DESCRIPTIONS	MT'L	SET QTY	SET	UNIT WEIGHT KG	TOTAL WEIGHT KG	REMARKS
DATE : 2014. 02		SCALE : N/S		DRAWING No. : JD-SSWQ-450-F			
DRAWN BY J. H. GWAK		DESIGNED BY J,H,GWAK		CHECKED BY		APPROVED BY D,J,SIN	
PROJECT TITLE TRAVELLING FOLLOWING DRAWING				DRAWING TITLE φ450			



JINDO HOIST CRANE.CO.LTD

(, ∇∇ , ∇∇∇)



1	DRIVING WHEEL	SSWQ1R	2	-			
NO	DESCRIPTIONS	MT'L	SET QTY	SET	UNIT	TOTAL WEIGHT KG	REMARKS
DATE : 2014. 02		SCALE : N/S		DRAWING No. : JD-SSWQ-450-D1			
DRAWN BY J. H. GWAK		DESIGNED BY J,H,GWAK		CHECKED BY		APPROVED BY D,J,SIN	
PROJECT TITLE TRAVELLING DRIVING DRAWING				DRAWING TITLE φ450			



JINDO HOIST CRANE.CO.LTD

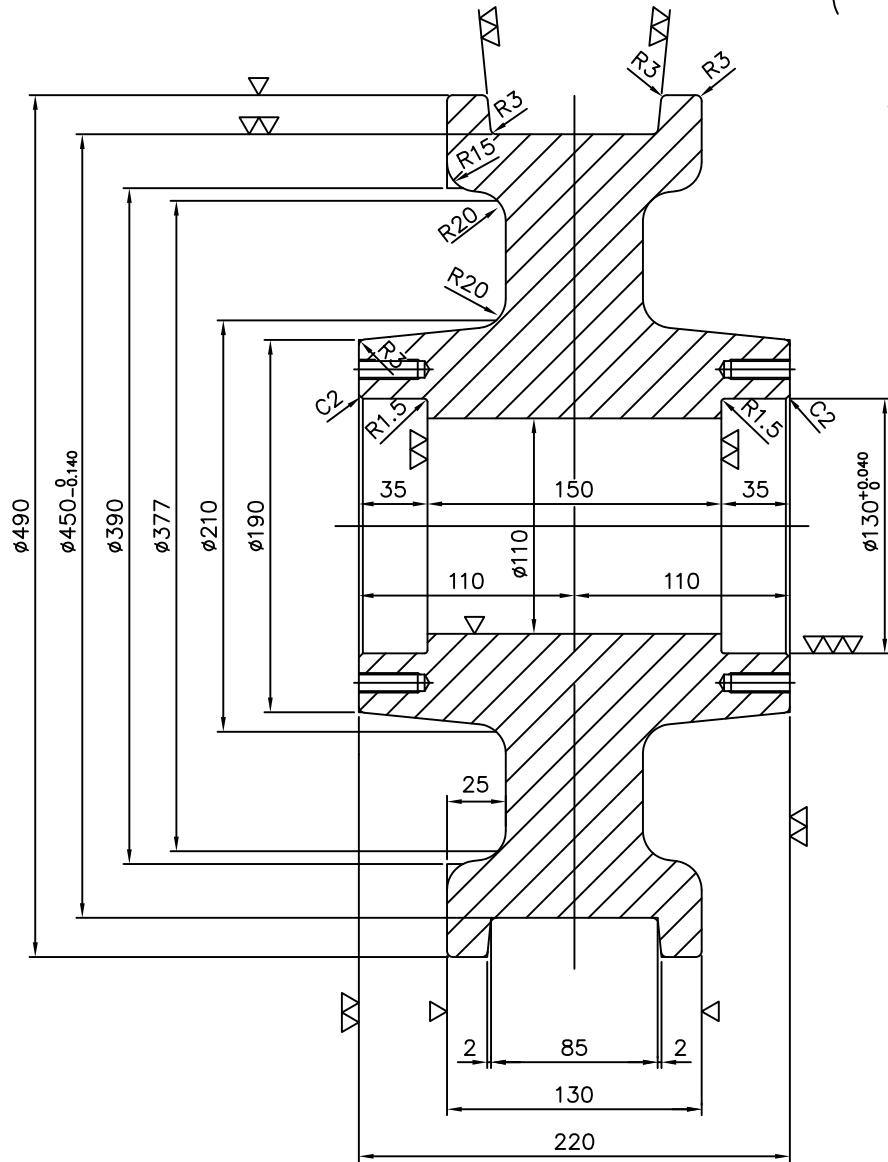
(, ∇∇ , ∇∇∇)

COLLAR

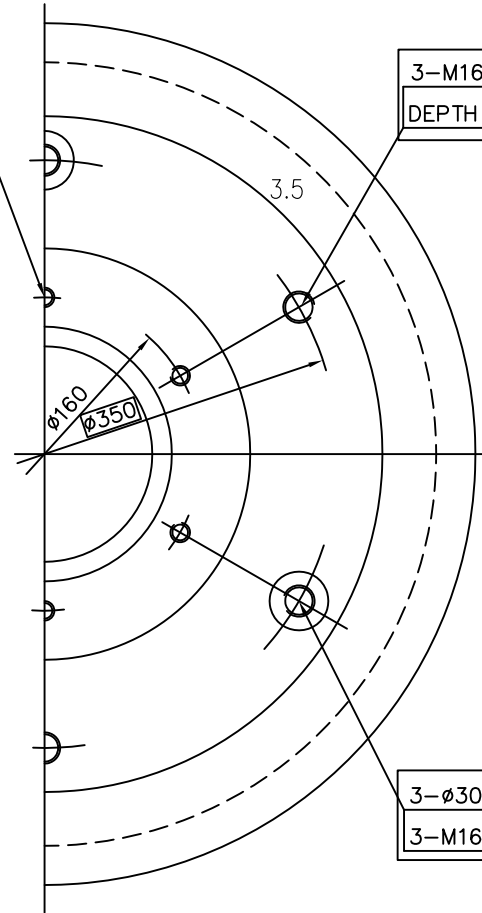
FCD40

4

JD-S450



2x6-M10 TAP
DEPTH 30



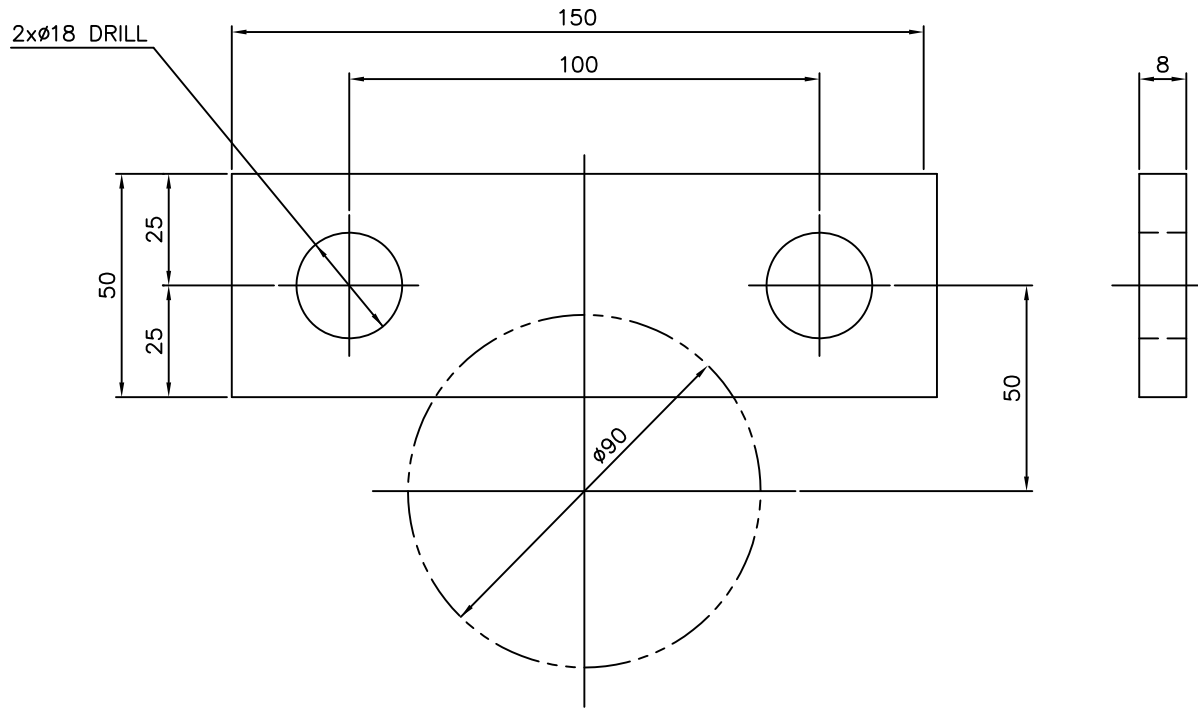
3-M16 TAP
DEPTH 40

3- $\phi 30_{+0.025}$ REAMER(DEP.15)
3-M16 TAP(DEP.40)

NO	DESCRIPTIONS	MT'L	TOTAL			REMARKS
			SET	UNIT	WEIGHT KG	
1	FOLLOWING WHEEL	SSWQ1R	2	-	-	
DATE : 2014. 02		SCALE : N/S	DRAWING No. : JD-SSWQ-450-F1			
DRAWN BY J. H. GWAK		DESIGNED BY J,H,GWAK	CHECKED BY		APPROVED BY D,J,SIN	
PROJECT TITLE TRAVELLING FOLLOWING DRAWING			DRAWING TITLE $\phi 450$			





JINDO HOIST CRANE.CO.LTD

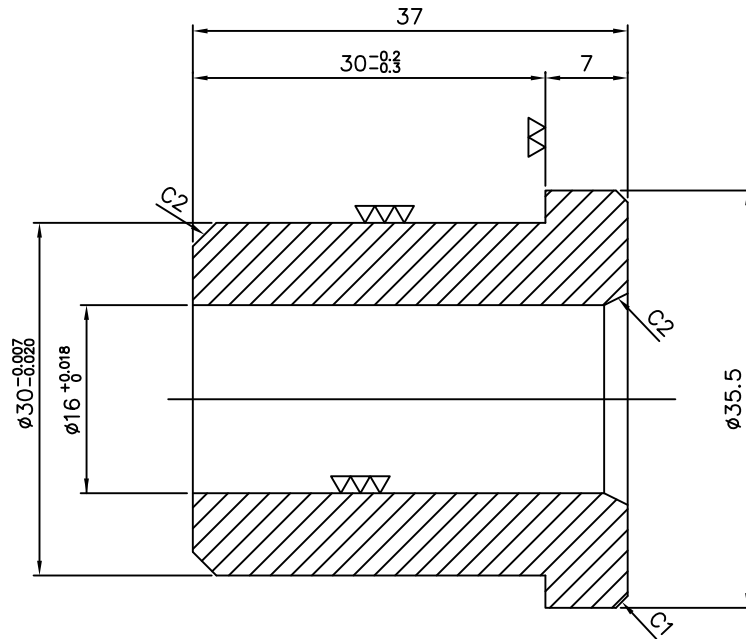


	1	KEY PLATE	SS41		4	0.5	2	
NO	DESCRIPTIONS		MT'L	SET QTY	SET	UNIT	TOTAL WEIGHT KG	REMARKS
DATE : 2014. 02			SCALE : N/S		DRAWING No. : JD-SSWQ-450-K			
DRAWN BY J. H. GWAK			DESIGNED BY J,H,GWAK		CHECKED BY		APPROVED BY D,J,SIN	
PROJECT TITLE TRAVELLING KEY PLATE DRAWING					DRAWING TITLE ø450			



JINDO HOIST CRANE.CO.LTD

( , )

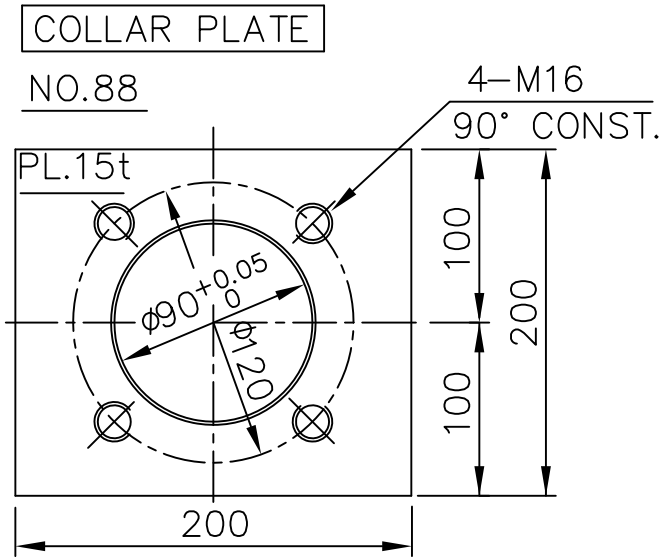
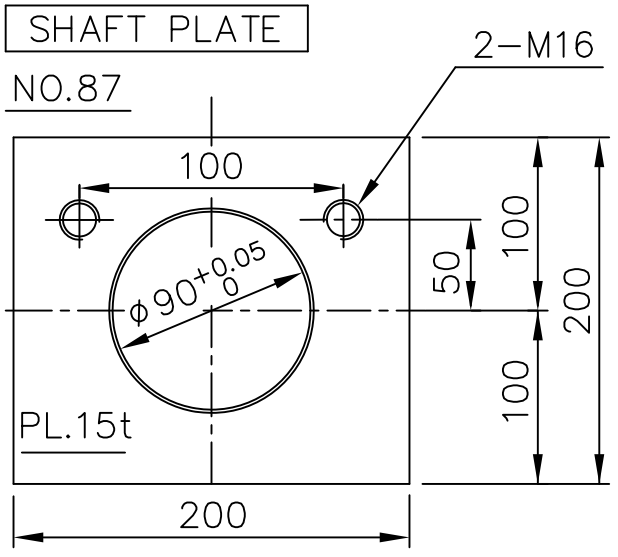
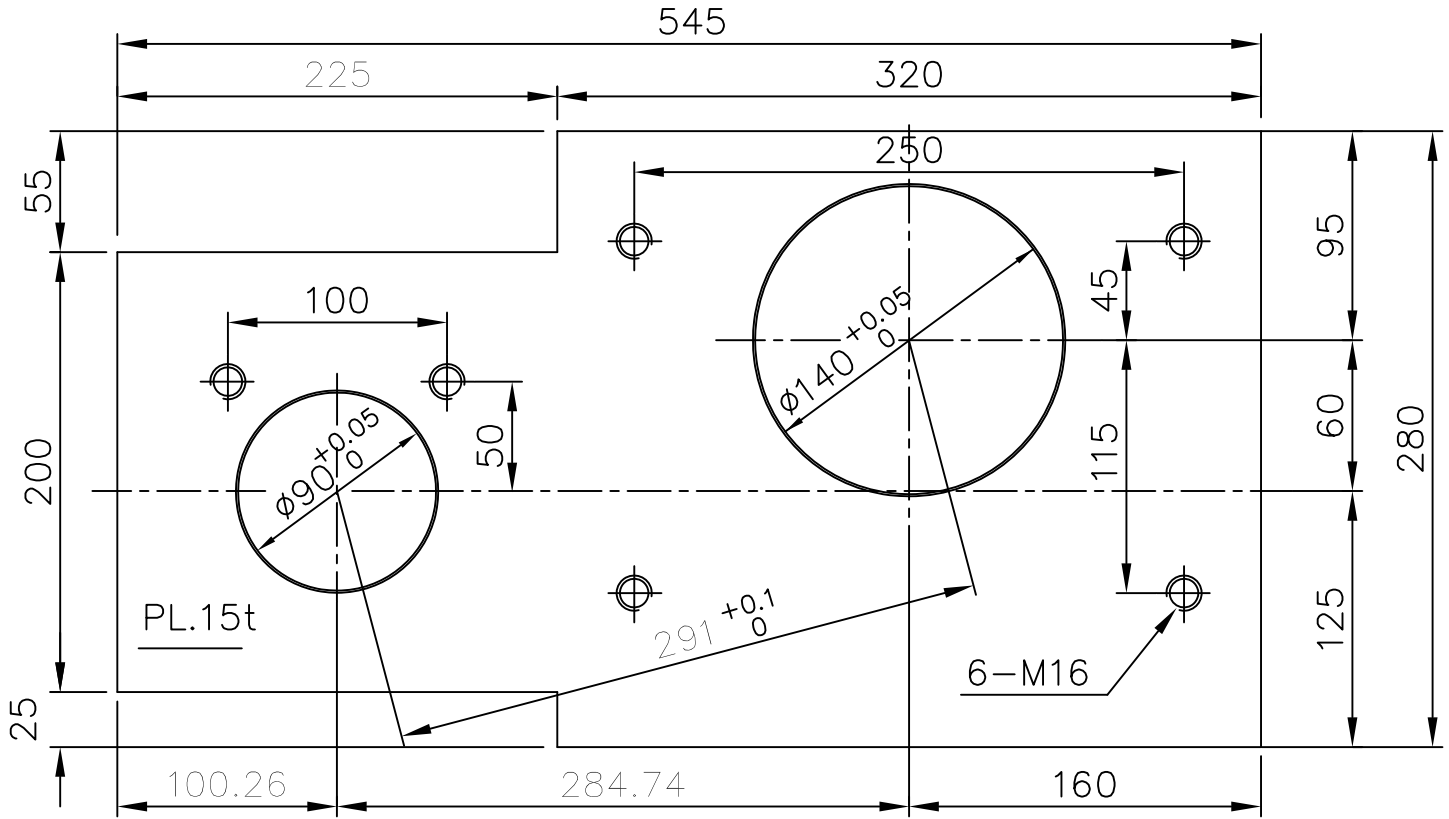


1	BUSH	S45CN	6	0.4	2.4	$\phi 40 \times 40L$	
NO	DESCRIPTIONS	MT'L	SET QTY	SET QTY	UNIT WEIGHT KG	TOTAL WEIGHT KG	REMARKS
DATE : 2014. 02		SCALE : N/S		DRAWING No. : JD-SSWQ-450-BU			
DRAWN BY J. H. GWAK		DESIGNED BY J,H,GWAK		CHECKED BY		APPROVED BY D,J,SIN	
PROJECT TITLE TRAVELLING BUSH DRAWING				DRAWING TITLE $\phi 450$			



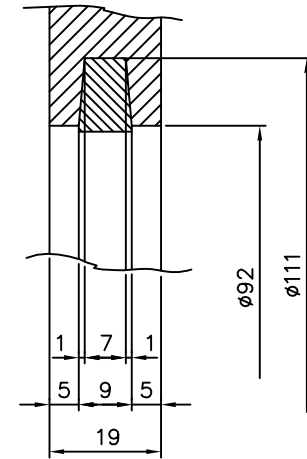
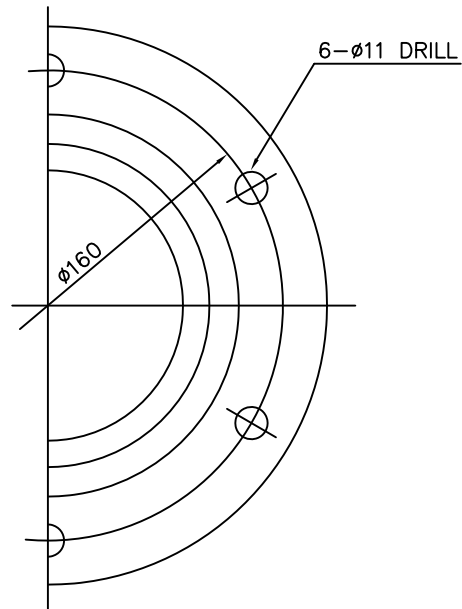
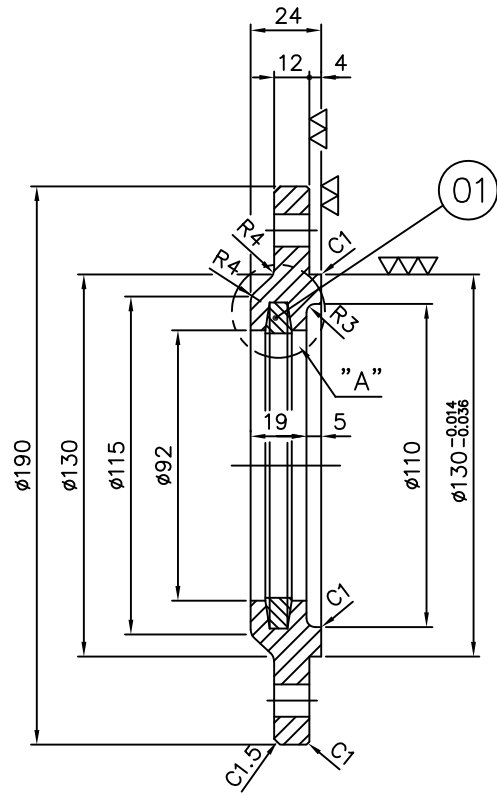
JINDO HOIST CRANE.CO.LTD

Ø450 MOTOR PLATE NO. _____



88	PL15x200x200	SS41		4		15.84	
87	PL15x200x200	SS41		2		7.92	
86	PL15x280x545	SS41		2		26.6	
NO	DESCRIPTIONS	MT'L	SET	SET	UNIT	TOTAL	REMARKS
			QTY		WEIGHT	KG	
DATE : 2014. 02		SCALE : N/S		DRAWING No. : JD-SSWQ-450-P			
DRAWN BY J. H. GWAK		DESIGNED BY J,H,GWAK		CHECKED BY		APPROVED BY D,J,SIN	
PROJECT TITLE TRAVELLING PLAEET DRAWING				DRAWING TITLE Ø450			

(∇ , ∇)



DETAIL "A"

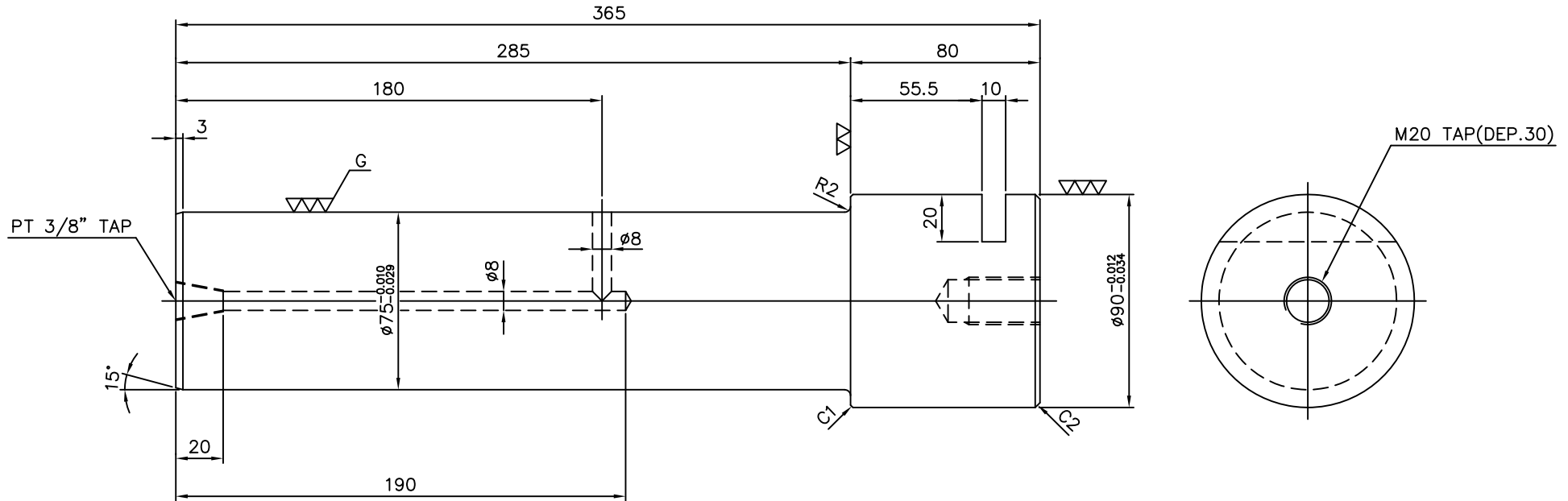
	01	FELT PACKING	PUR-CHASE		8			8txø90xø111
1		BEARING COVER	SS41 OR FC20		8	6.5	52	27txø195
NO	DESCRIPTIONS		MT'L	SET QTY	SET QTY	UNIT	TOTAL WEIGHT KG	REMARKS
DATE : 2014. 02			SCALE : N/S		DRAWING No. : JD-SSWQ-450-BC			
DRAWN BY J. H. GWAK			DESIGNED BY J,H,GWAK		CHECKED BY		APPROVED BY D,J,SIN	
PROJECT TITLE TRAVELLING BEARING COVER DRAWING					DRAWING TITLE ø450			



JINDO HOIST CRANE.CO.LTD

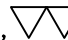
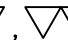
20.5

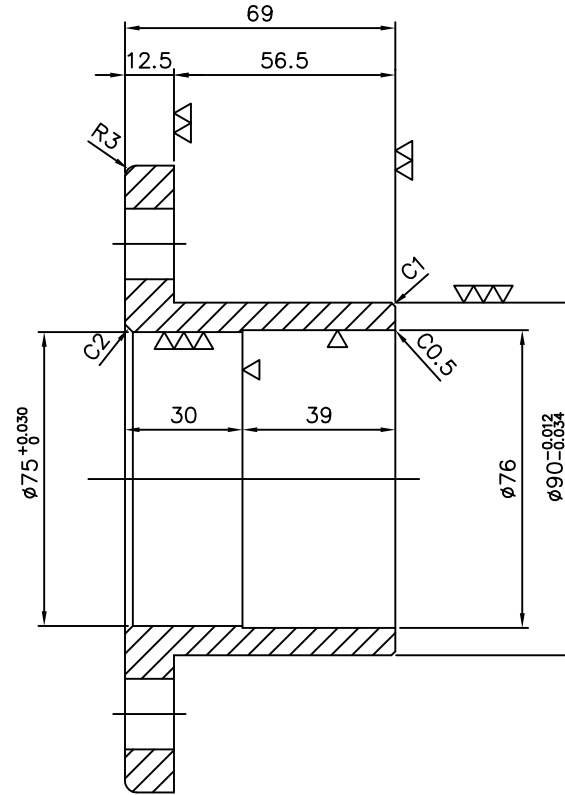
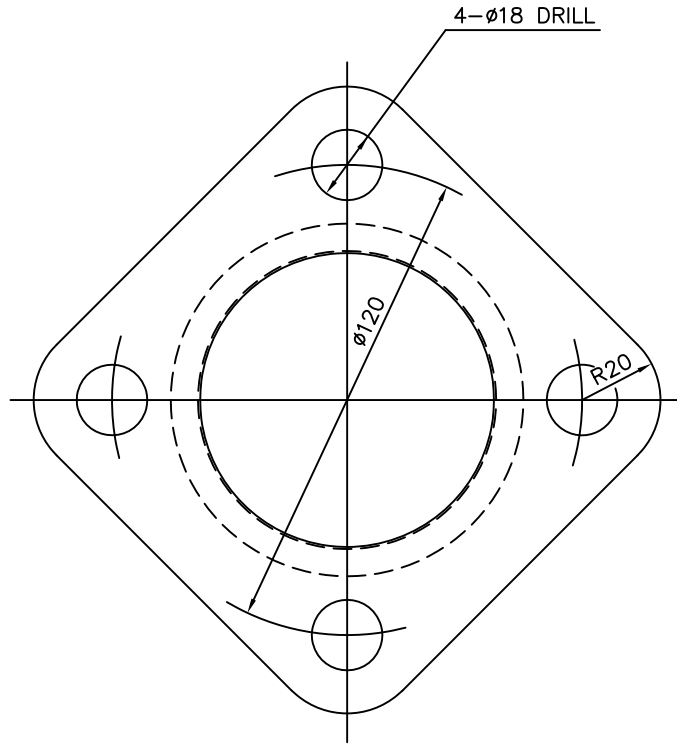
(▽▽ , ▽▽▽)



1	SHAFT	S45CN	4	82	ø95x370L	
NO	DESCRIPTIONS	MT'L	SET QTY	SET UNIT	TOTAL WEIGHT KG	REMARKS
DATE : 2014. 02		SCALE : N/S		DRAWING No. : JD-SSWQ-450-S		
DRAWN BY J. H. GWAK		DESIGNED BY J,H,GWAK		CHECKED BY		APPROVED BY D,J,SIN
PROJECT TITLE TRAVELLING DRIVING SHAFT DRAWING				DRAWING TITLE ø450		



(, , )

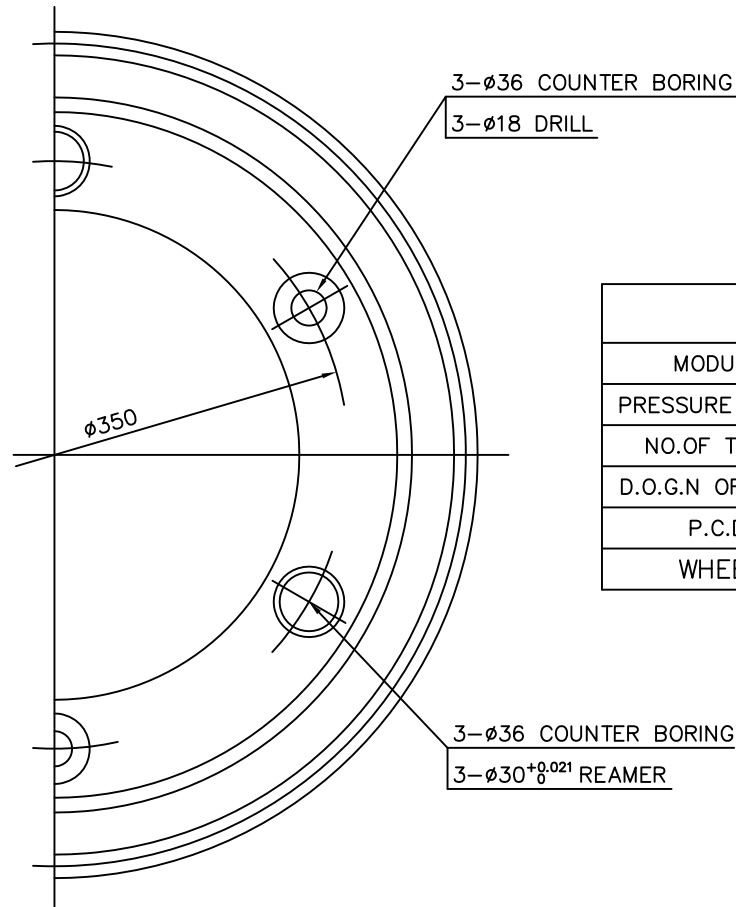
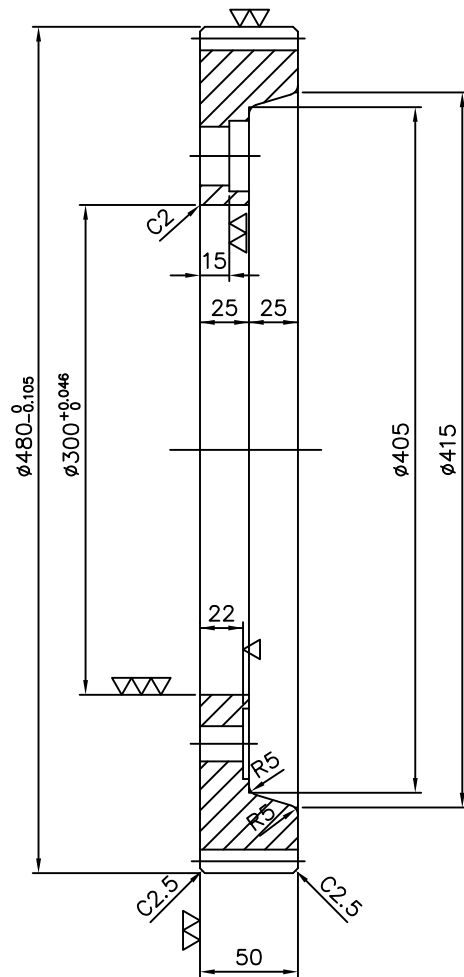


1	COLLAR	FCD40	4	3.5	14		
NO	DESCRIPTIONS	MT'L	SET QTY	SET	UNIT WEIGHT KG	TOTAL	REMARKS
DATE : 2014. 02		SCALE : N/S		DRAWING No. : JD-SSWQ-450-C			
DRAWN BY J. H. GWAK		DESIGNED BY J,H,GWAK		CHECKED BY		APPROVED BY D,J,SIN	
PROJECT TITLE TRAVELLING COLLAR DRAWING				DRAWING TITLE φ450			



JINDO HOIST CRANE.CO.LTD

(, ∇ , ∇)



GEAR SPECIFICATION		
MODULE	6	8
PRESSURE ANGLE	20°	
NO.OF TEETH	78 ^T	58 ^T
D.O.G.N OF TEETH	9 ^T)157.11 \pm 0.14	7 ^T)160.00 \pm 0.14
P.C.D	468	464
WHEEL	450	450S

NO	DESCRIPTIONS	MT'L	SET QTY	SET	UNIT	TOTAL WEIGHT KG	REMARKS
1	WHEEL GEAR	SC49	2			63	
DATE : 2014. 02		SCALE : N/S		DRAWING No. : JD-SSWQ-450-WG			
DRAWN BY J. H. GWAK		DESIGNED BY J,H,GWAK		CHECKED BY		APPROVED BY D,J,SIN	
PROJECT TITLE TRAVELLING WHEEL GEAR DRAWING				DRAWING TITLE 450			



JINDO HOIST CRANE.CO.LTD