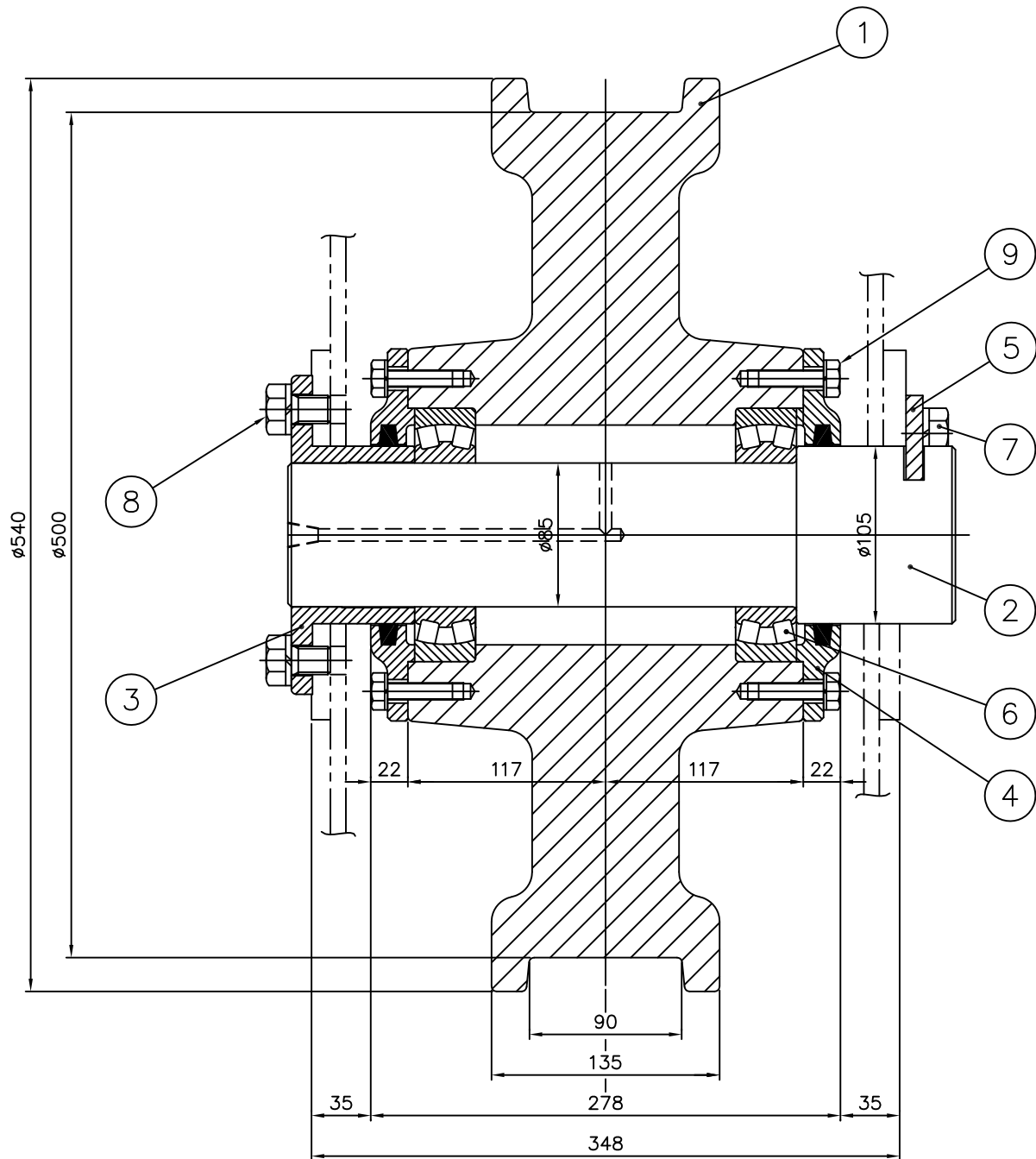


13	BOLT,SW	4T	24		M12x35 <sup>L</sup> x25 <sup>S</sup>		
12	BOLT,SW	4T	8		M16x35 <sup>L</sup> x25 <sup>S</sup>		
11	BOLT,SW	4T	4		M20x35 <sup>L</sup> x25 <sup>S</sup>		
10	W/S		6				
9	HIGHTENSION BOLT A		6				
8	BEARING	PUR-CHASE	4		#22217		
7	KEY PLATE	SS41	2		JD-φ500-K		
6	BUSH	S45CN	6		JD-φ500-BU		
5	BEARING COVER	SS41 OR FC20	4		JD-φ500-BC		
4	COLLAR	FCD40	2		JD-φ500-C		
3	SHAFT	S45CN	2		JD-φ500-S		
2	WHEEL GEAR	SC49	2		JD-φ500-GR		
1	DRIVING WHEEL	SSWQ1R	2		JD-φ500-D		
	ASS'Y OF DRIVING WHEEL	-	2				
NO	DESCRIPTIONS	MT'L	SET QTY	SET QTY	UNIT WEIGHT KG	TOTAL WEIGHT KG	REMARKS
DATE : 2014. 02		SCALE : N/S		DRAWING No. : JD-SSWQ-500-D			
DRAWN BY J. H. GWAK		DESIGNED BY J,H,GWAK		CHECKED BY		APPROVED BY D,J,SIN	
PROJECT TITLE TRAVELLING DRIVING DRAWING				DRAWING TITLE φ500			



JINDO HOIST CRANE.CO.LTD

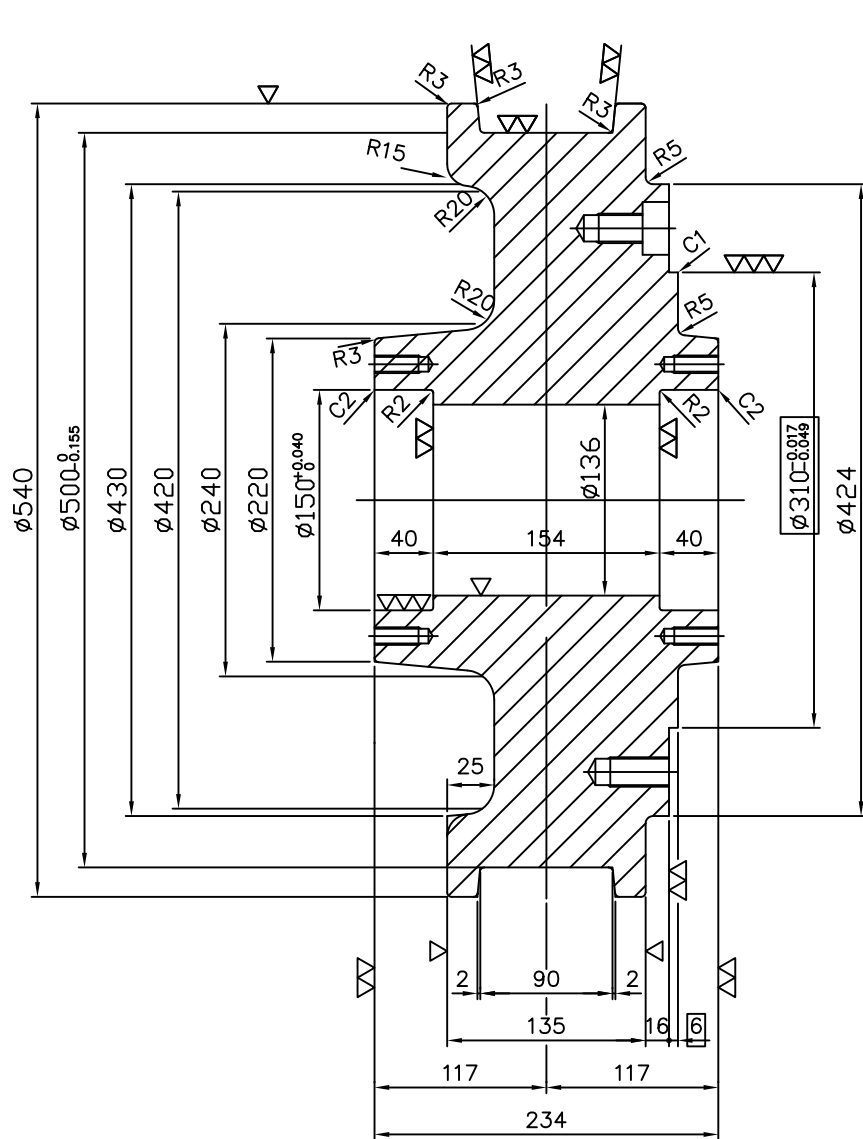


9	BOLT,SW	4T	24			M12x35 <sup>L</sup> x25 <sup>S</sup>	
8	BOLT,SW	4T	8			M16x35 <sup>L</sup> x25 <sup>S</sup>	
7	BOLT,SW	4T	4			M20x35 <sup>L</sup> x25 <sup>S</sup>	
6	BEARING		4			#22217	
5	KEY PLATE	SS41	2			JD-φ500-K	
4	BEARING COVER	SS41 OR FC20	4			JD-φ500-BC	
3	COLLAR	FCD40	2			JD-φ500-C	
2	SHAFT	S45CN	2			JD-φ500-S	
1	FOLLOWING WHEEL	SSWQ1R	2			JD-φ500-F	
	ASS'Y OF FOLLOWING WHEEL	-	2				
NO	DESCRIPTIONS	MT'L	SET QTY	SET QTY	UNIT WEIGHT KG	TOTAL WEIGHT KG	REMARKS
DATE : 2014. 02		SCALE : N/S		DRAWING No. : JD-SSWQ-500-F			
DRAWN BY J. H. GWAK		DESIGNED BY J,H,GWAK		CHECKED BY		APPROVED BY D,J,SIN	
PROJECT TITLE TRAVELLING FOLLOWING DRAWING				DRAWING TITLE φ500			

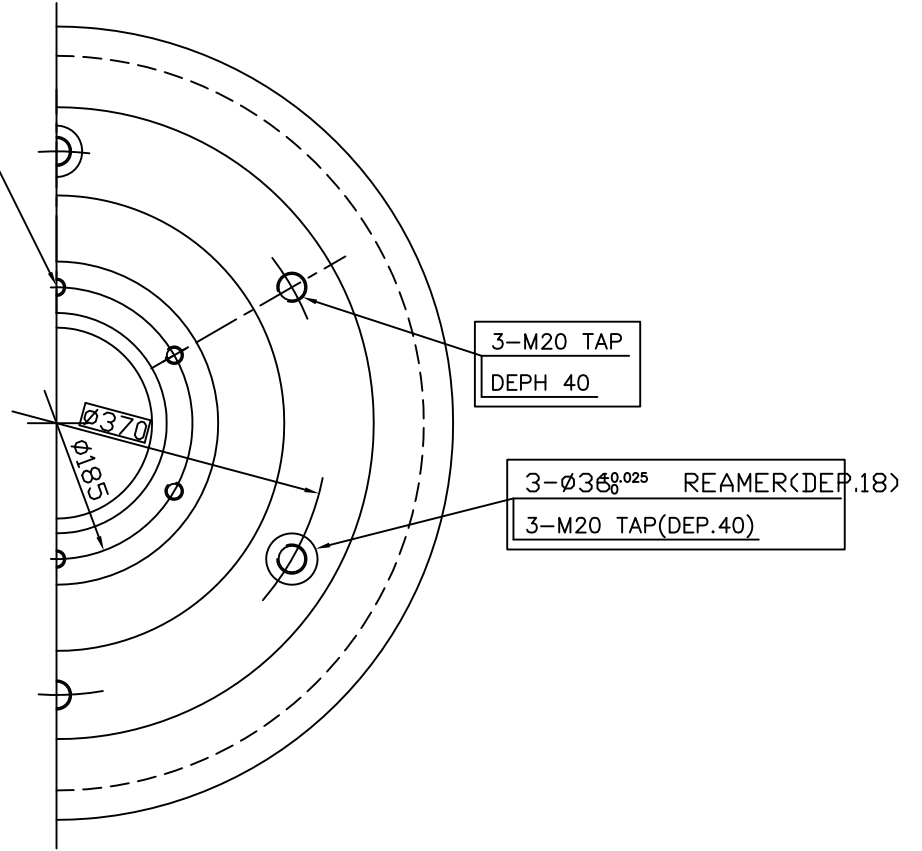


JINDO HOIST CRANE.CO.LTD

( ,  $\nabla$  ,  $\nabla$  )






2x6-M12 TAP  
DEPTH 30

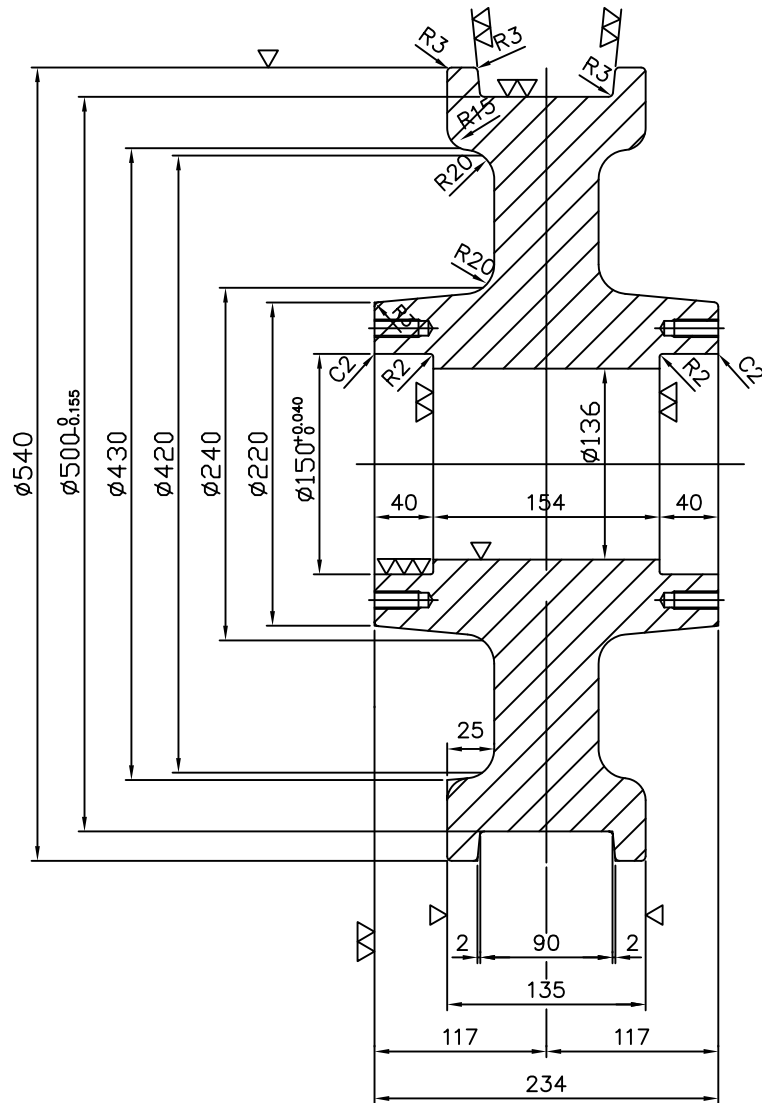


1	DRIVING WHEEL	SSWQ1R		2				
NO	DESCRIPTIONS	MT'L	SET QTY	SET	UNIT	TOTAL WEIGHT KG	REMARKS	
DATE : 2014. 02		SCALE : N/S		DRAWING No. : JD-SSWQ-500-D1				
DRAWN BY J. H. GWAK		DESIGNED BY J,H,GWAK		CHECKED BY		APPROVED BY D,J,SIN		
PROJECT TITLE TRAVELLING DRIVING DRAWING				DRAWING TITLE φ500				

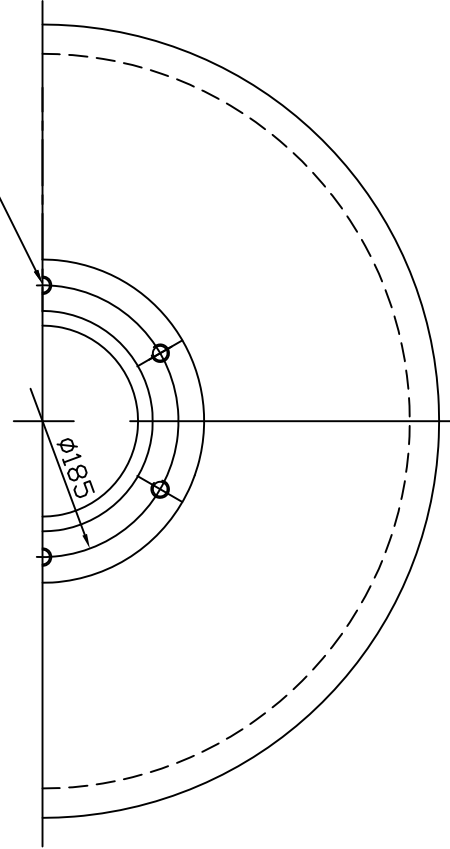


JINDO HOIST CRANE.CO.LTD

( , , ,  )



2x6-M12 TAP  
DEPTH 30

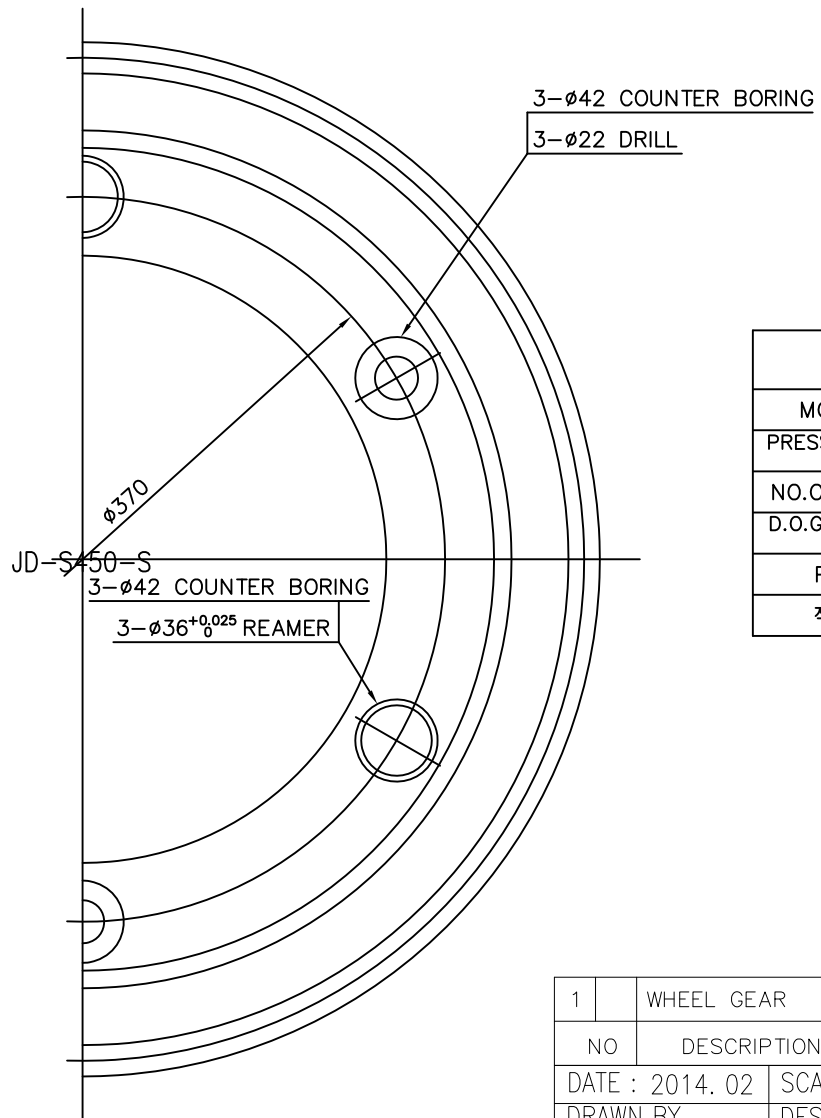
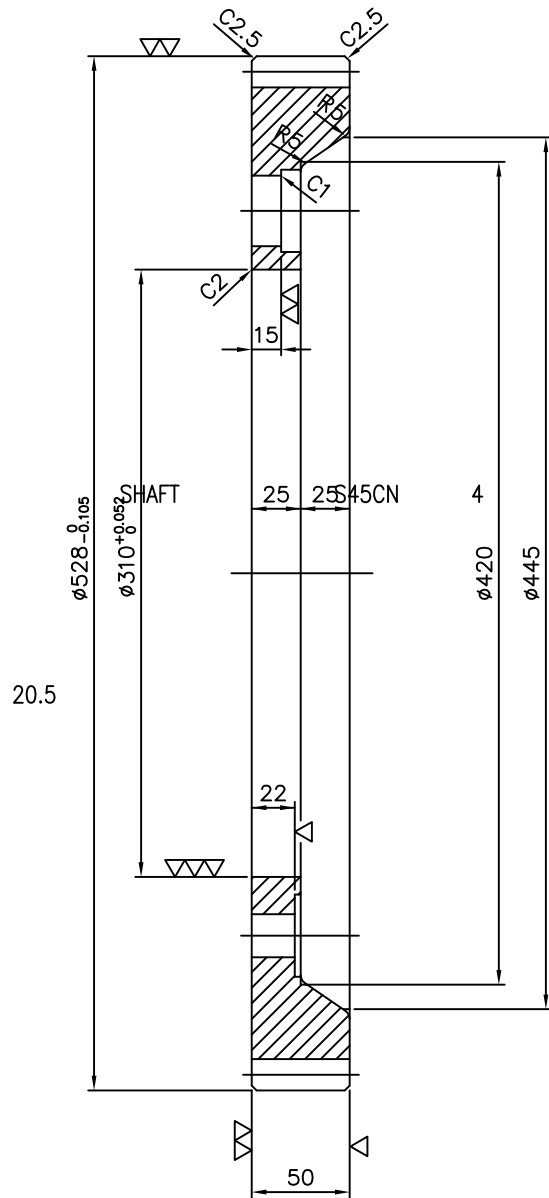


1		FOLLOWING WHEEL	SSWQ1R		2				
NO	DESCRIPTIONS	MT'L	SET	SET	UNIT	TOTAL	REMARKS		
			QTY		WEIGHT	KG			
DATE : 2014. 02	SCALE : N/S	DRAWING No. : JD-SSWQ-500-F1							
DRAWN BY J. H. GWAK	DESIGNED BY J,H,GWAK	CHECKED BY		APPROVED BY D,J,SIN					
PROJECT TITLE TRAVELLING FOLLOWING DRAWING				DRAWING TITLE ø500					



JINDO HOIST CRANE.CO.LTD

(▽, ▽, ▹)



GEAR SPECIFICATION		
MODULE	6	8
PRESSURE ANGLE	20°	
NO.OF TEETH	86 <sup>T</sup>	64 <sup>T</sup>
D.O.G.N OF TEETH	10 <sup>T</sup> )175.50- <del>0.48</del>	8 <sup>T</sup> )184.30- <del>0.55</del>
P.C.D	$\phi 516$	$\phi 512$
적용분	$\phi 500$	$\phi 500S$

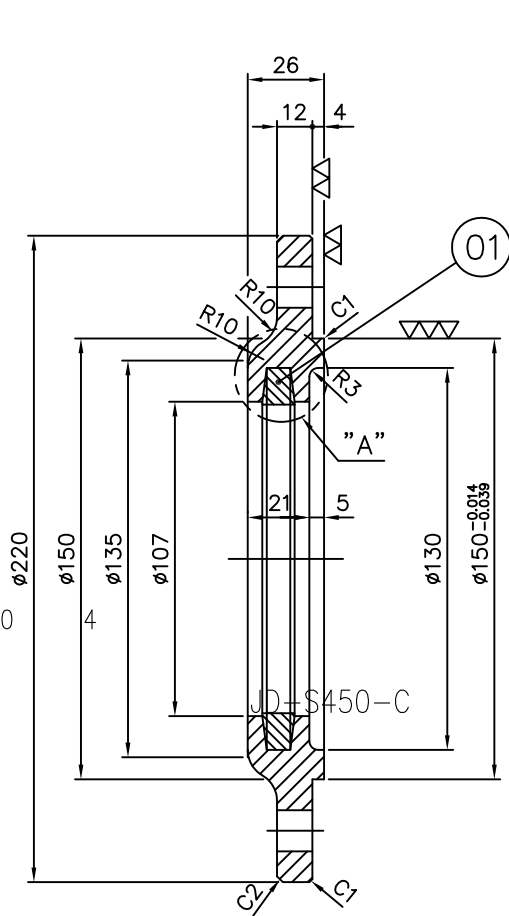
NO	DESCRIPTIONS	MT'L	SET QTY	SET QTY	UNIT	TOTAL WEIGHT KG	REMARKS
1	WHEEL GEAR	SC49	2	56.5	113		
DATE : 2014. 02		SCALE : N/S		DRAWING No. : JD-SSWQ-500-WG			
DRAWN BY J. H. GWAK		DESIGNED BY J,H,GWAK		CHECKED BY		APPROVED BY D,J,SIN	
PROJECT TITLE TRAVELLING WHEEL GEAR DRAWING				DRAWING TITLE $\phi 500$			





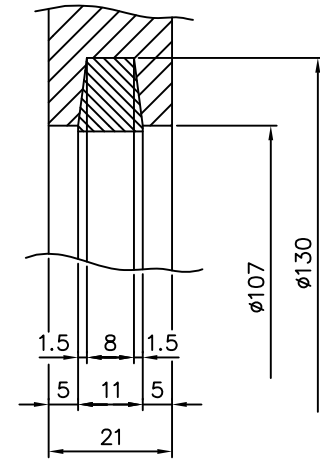
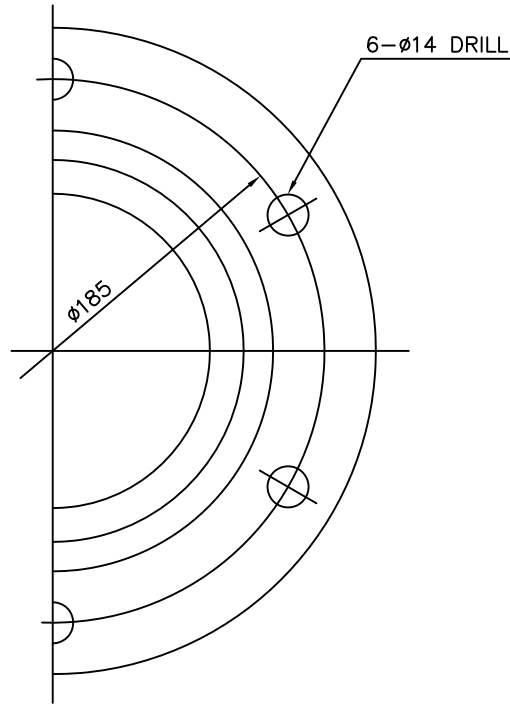
JINDO HOIST CRANE.CO.LTD

COLLAR

FCD40



(  ,  )

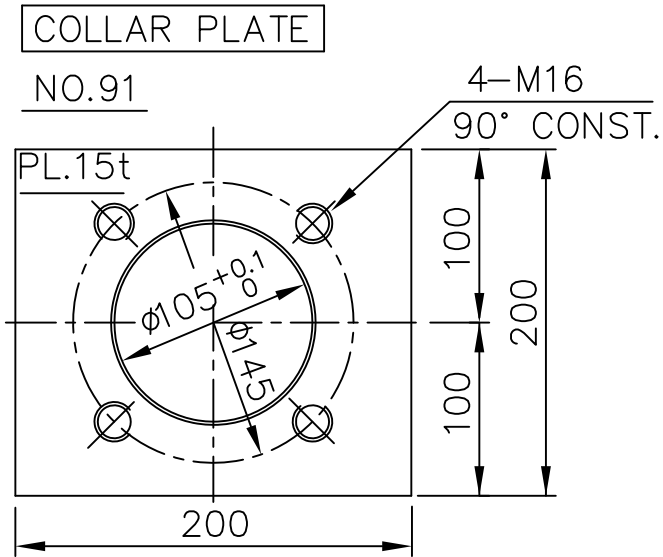
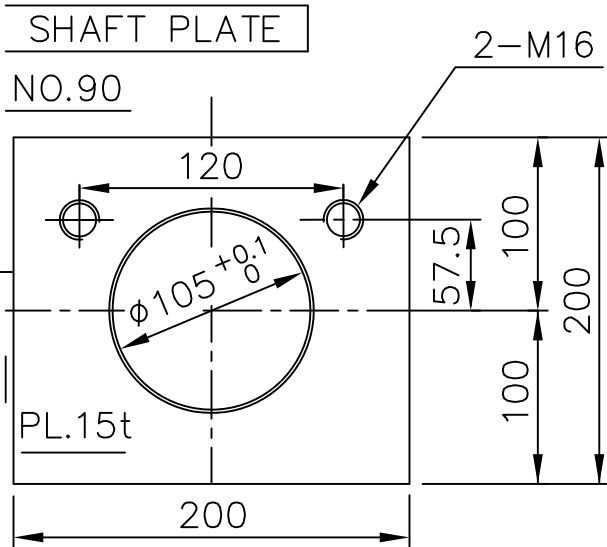
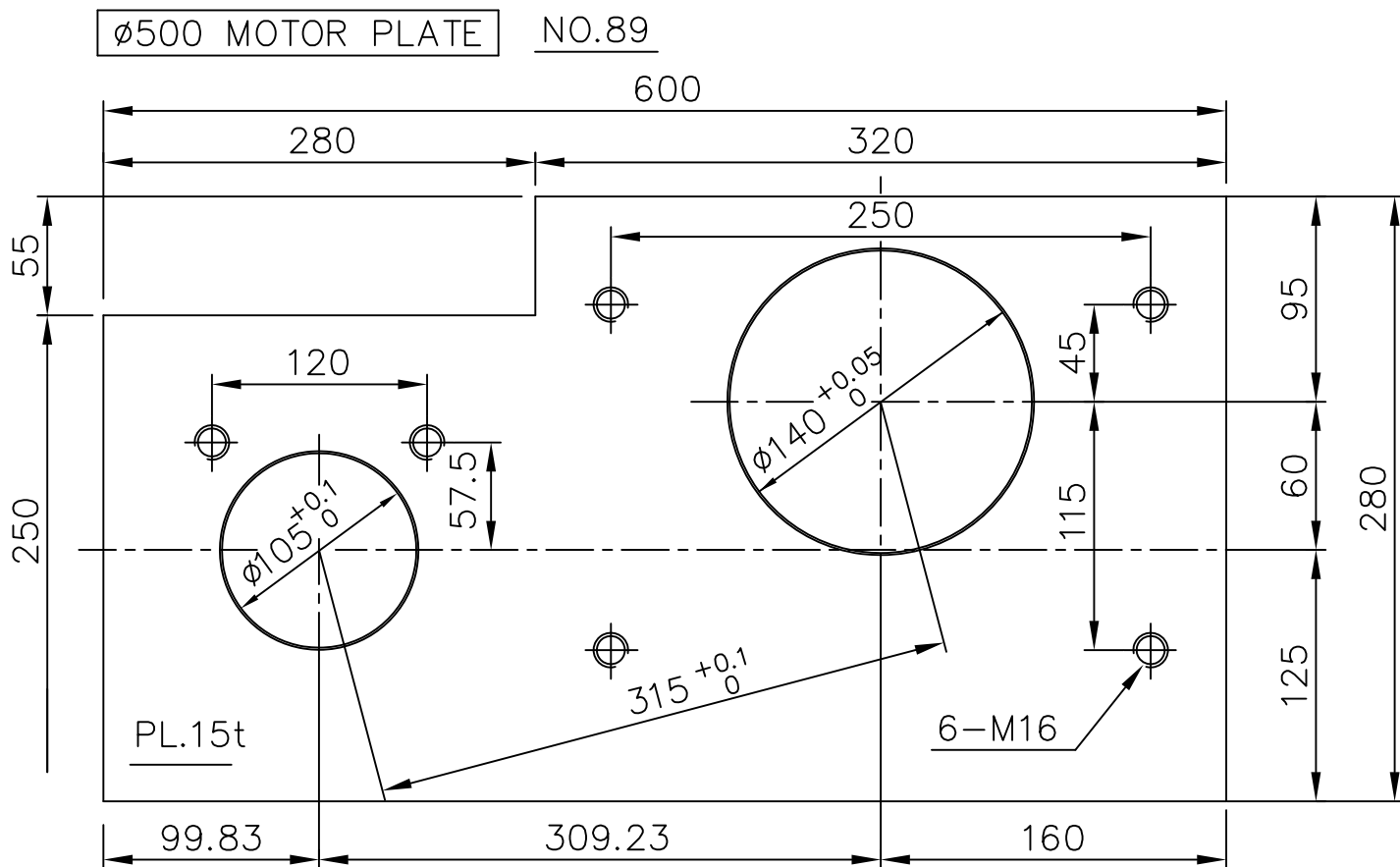


DETAIL "A"

	01	FELT PACKING			8			9.5txø105xø130
1		BEARING COVER	SS41 OR FC20		8	8.5	68	28txø225
NO	DESCRIPTIONS		MT'L	SET QTY	SET	UNIT	TOTAL WEIGHT KG	REMARKS
DATE : 2014. 02		SCALE : N/S		DRAWING No. : JD-SSWQ-500-BC				
DRAWN BY J. H. GWAK		DESIGNED BY J,H,GWAK		CHECKED BY		APPROVED BY D,J,SIN		
PROJECT TITLE TRAVELLING BEARING COVER DRAWING				DRAWING TITLE ø500				




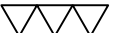
JINDO HOIST CRANE.CO.LTD

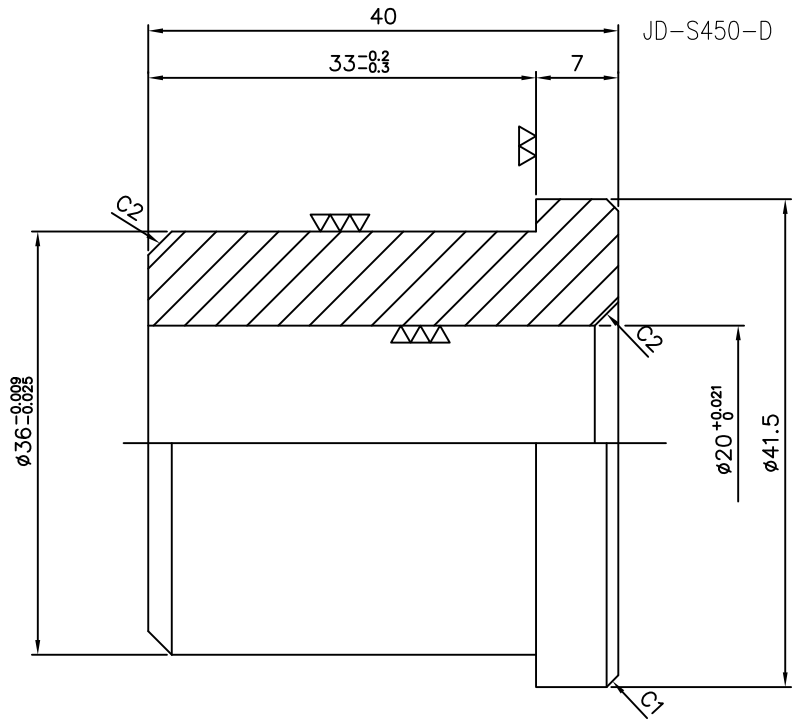


NO	DESCRIPTIONS	MT'L	SET		UNIT	TOTAL WEIGHT KG	REMARKS
			QTY	QTY			
91	PL15x200x200	SS41	4			14.76	
90	PL15x200x200	SS41	2			7.38	
89	PL15x280x600	SS41	2			33.9	
DATE : 2014. 02		SCALE : N/S		DRAWING No. : JD-SSWQ-500-P			
DRAWN BY J. H. GWAK		DESIGNED BY J,H,GWAK		CHECKED BY		APPROVED BY D,J,SIN	
PROJECT TITLE TRAVELLING PLAEET DRAWING				DRAWING TITLE ø500			



JINDO HOIST CRANE.CO.LTD

(  ,  )



1	BUSH	S45CN	6	0.6	3.6	$\phi 45 \times 45L$	
NO	DESCRIPTIONS	MT'L	SET	SET	UNIT	TOTAL	REMARKS
			QTY		WEIGHT	KG	
DATE : 2014. 02		SCALE : N/S		DRAWING No. : JD-SSWQ-500-BU			
DRAWN BY J. H. GWAK		DESIGNED BY J,H,GWAK		CHECKED BY		APPROVED BY D,J,SIN	
PROJECT TITLE TRAVELLING BUSH DRAWING				DRAWING TITLE $\phi 500$			

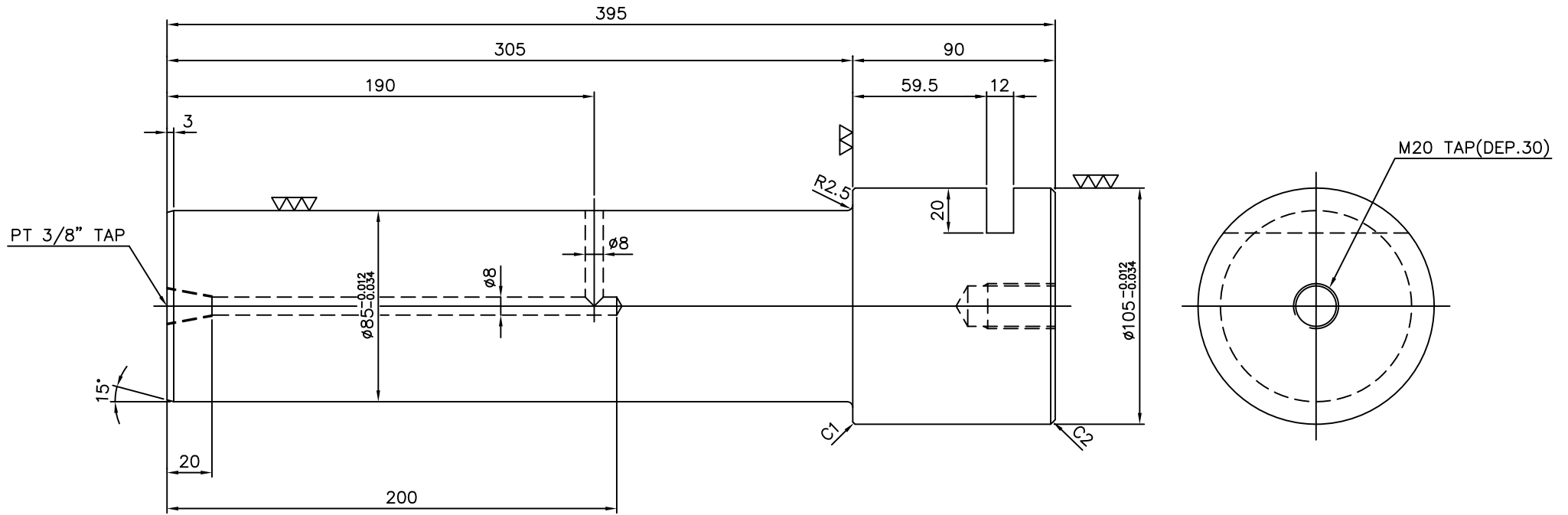


JINDO HOIST CRANE.CO.LTD



BUSH S45CN 6

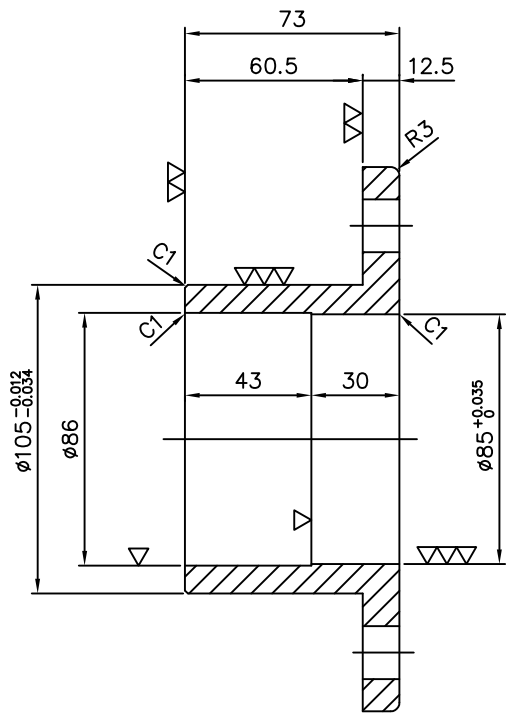
( ∇∇ , ∇∇∇ )

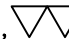
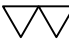


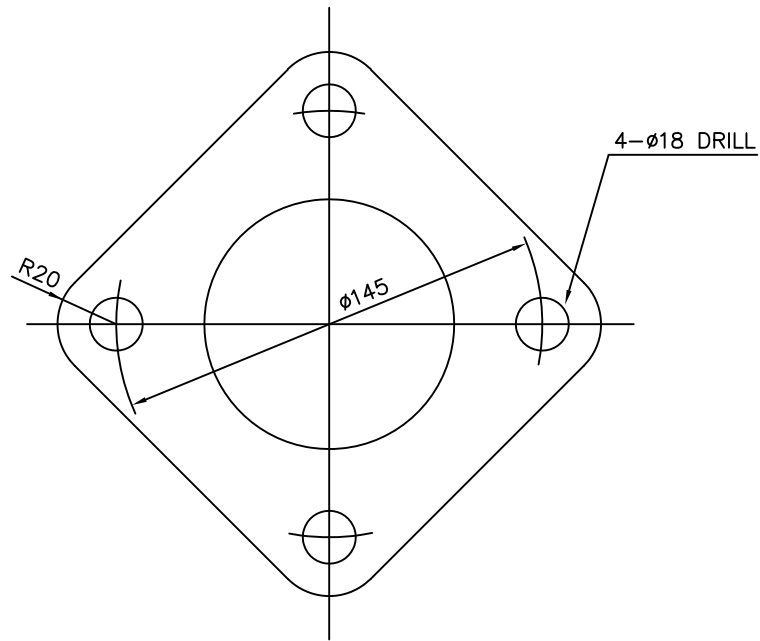
1	SHAFT	S45CN	4	30	120	$\phi 110 \times 400L$	
NO	DESCRIPTIONS	MT'L	SET	SET	UNIT	TOTAL	REMARKS
			QTY		WEIGHT	KG	
DATE : 2014. 02		SCALE : N/S		DRAWING No. : JD-SSWQ-500-S			
DRAWN BY J. H. GWAK		DESIGNED BY J,H,GWAK		CHECKED BY		APPROVED BY D,J,SIN	
PROJECT TITLE TRAVELLING SHAFT DRAWING				DRAWING TITLE $\phi 500$			



JINDO HOIST CRANE.CO.LTD



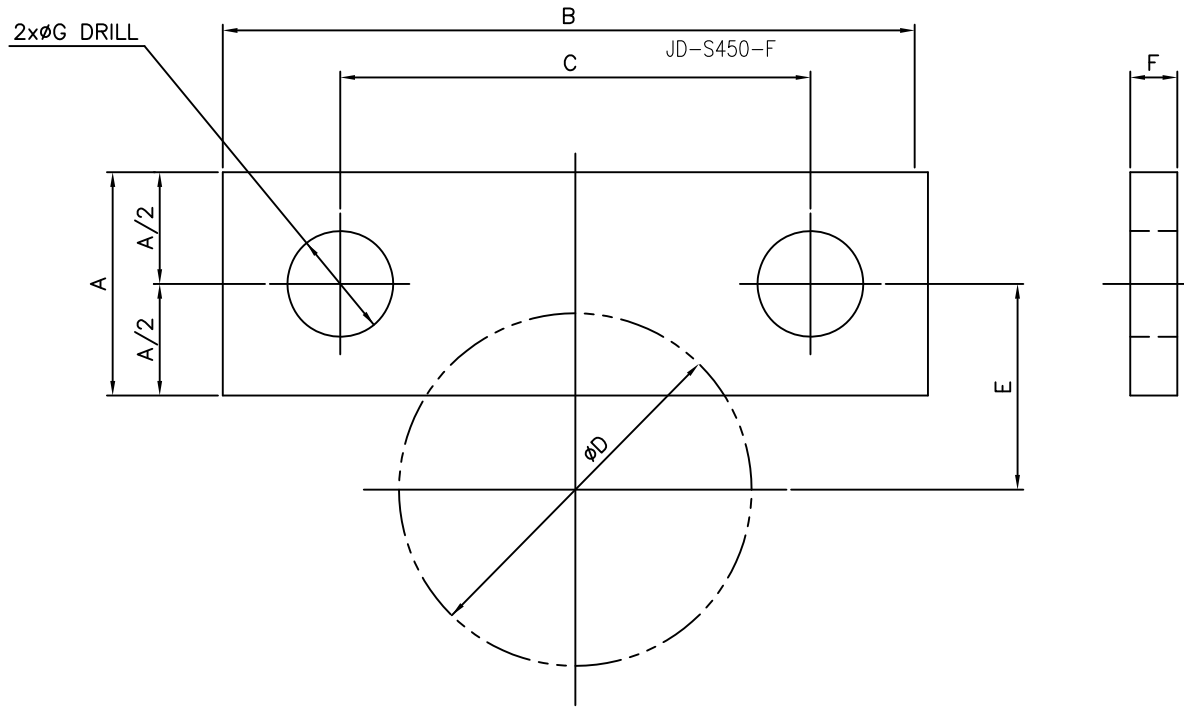
( ,  ,  )



1	COLLAR	FCD40	4	4.5	18		
NO	DESCRIPTIONS	MT'L	SET	SET	UNIT	TOTAL	REMARKS
			QTY		WEIGHT	KG	
DATE : 2014. 02		SCALE : N/S		DRAWING No. : JD-SSWQ-500-C			
DRAWN BY J. H. GWAK		DESIGNED BY J,H,GWAK		CHECKED BY		APPROVED BY D,J,SIN	
PROJECT TITLE TRAVELLING COLLAR DRAWING				DRAWING TITLE Ø500			



JINDO HOIST CRANE.CO.LTD



WHEEL \ NOTATION	A	B	C	D	E	F	G	WEIGHT KG/EA
Ø160	38	120	80	60	35	8	14	0.3
Ø200	38	120	80	70	40	8	14	0.3
Ø250	38	120	80	75	42.5	8	14	0.3
Ø315	50	150	100	80	45	8	14	0.5
Ø315S	38	120	80	60	35	8	18	0.3
Ø400	50	150	100	90	50	8	18	0.5
Ø400S	50	150	100	80	45	8	22	0.5
Ø500	50	170	120	105	57.5	10	18	0.7
Ø500S	50	150	100	90	50	8	22	0.5
Ø630	50	170	120	120	65	10	18	0.7
Ø630S	50	170	120	100	55	10	22	0.7
Ø710	55	210	150	130	67.5	12	18	1
Ø710S	50	170	120	110	60	10	22	0.7
Ø800	55	210	150	135	72.5	12	24	1
Ø800S	55	210	150	125	67.5	12	24	1



1	KEY PLATE	SS41	4				
NO	DESCRIPTIONS	MT'L	SET QTY	SET	UNIT	TOTAL WEIGHT KG	REMARKS
DATE : 2014. 02	SCALE : N/S	DRAWING No. : JD-SSWQ-500-K					
DRAWN BY J. H. GWAK	DESIGNED BY J,H,GWAK	CHECKED BY		APPROVED BY D,J,SIN			
PROJECT TITLE TRAVELLING KEY PLATE DRAWING				DRAWING TITLE Ø500			



JINDO HOIST CRANE.CO.LTD