

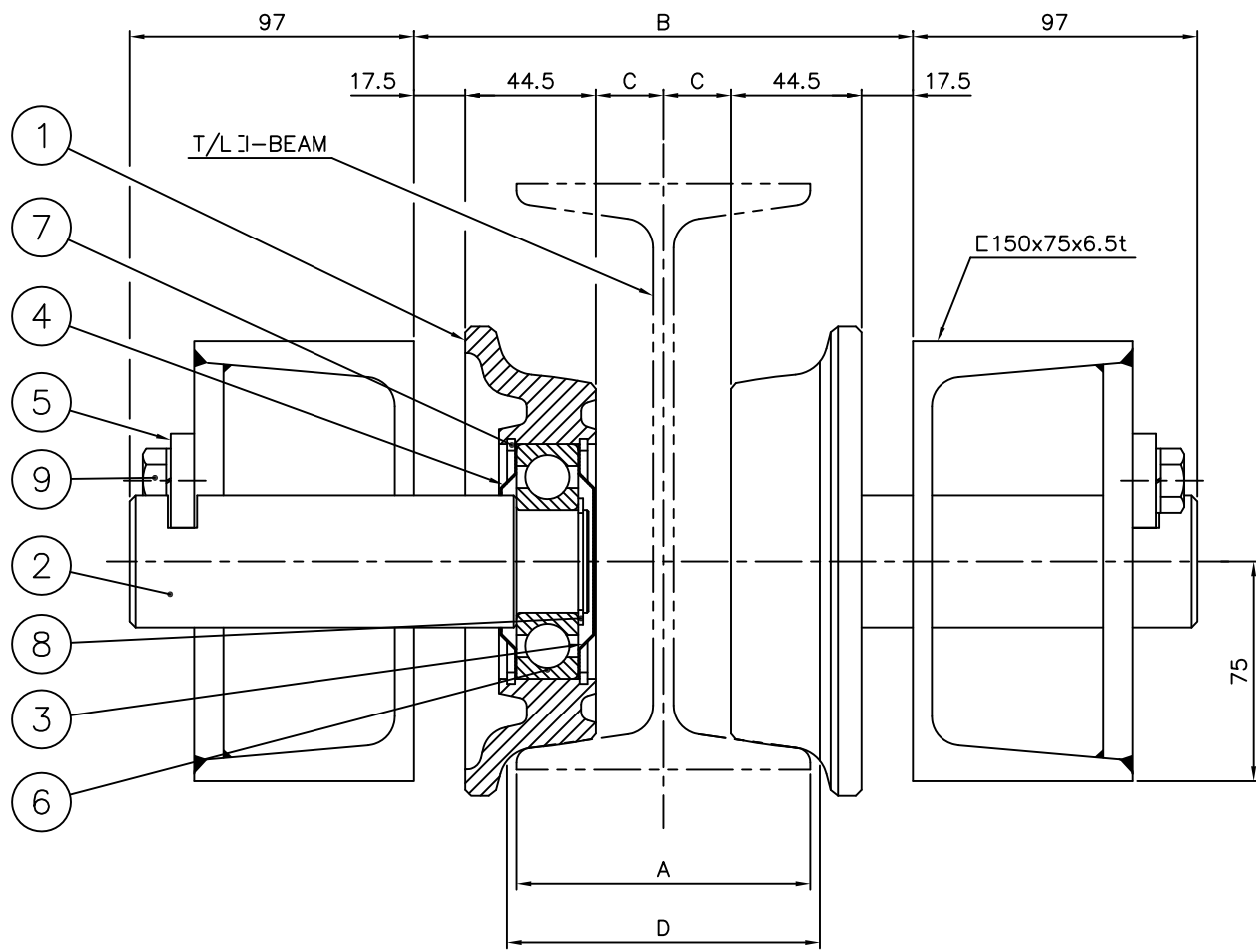
I-BEAM	NOTATION						
	A	B	C	D	E	F	G
I 200x100x7t	100	117	170	23	240	107	53.5
I250x125x7.5t	125	142	195	35.5	265	132	52
I 250x125x10t	125	142	195	35.5	265	132	45.5
I 300x150x10t	150	167	220	48	290	157	47
I 400x150x10t	150	167	220	48	290	157	47.5
I 450x175x13t	175	192	245	60.5	315	182	40

NO.	DESCRIPTIONS	MAT'L	Q'TY	WEIGHT KG.		REMARKS.
				UNIT	TOTAL	
	ASS'Y OF DRIVING WHEEL	-	2			
1	DRIVING WHEEL	S45CN	4			PA300466
2	WHEEL SHAFT	S45CN	4			PA300468
3	IDLE GEAR SHAFT	S45C	2			PA300469
4	IDLE GEAR	S45C	4			PA300470
5	COLLAR	STPT	4			PA300471
6	BEARING COVER A	SPC	4			PA300472
7	KEY PLATE	SS41	4			PA300473
8	BEARING	PUR-CHASE	4			#6307ZZ
9	PILLOW BLOCK BEARING	PUR-CHASE	4			UCP206
10	SNAP RING	PUR-CHASE	8			R80
11	SNAP RING	PUR-CHASE	4			S35
12	BOLT,SW	4T	8			M14x35 <sup>L</sup> x25 <sup>S</sup>
13	BOLT,SW	4T	8			M12x20 <sup>L</sup> x20 <sup>S</sup>

DATE : 2014. 02	SCALE : N/S	DRAWING No. : JD-SUS125-D	
DRAWN BY J. H. SWAK	DESIGNED BY J. H. SWAK	CHECKED BY	APPROVED BY D. J. JIN
PROJECT TITLE TRAVELLING DRIVING PLAT DRAWING		DRAWING TITLE ø125	



JINDO HOIST CRANE.CO.LTD



I-BEAM	NOTATION			
	A	B	C	D
I 200x100x7t	100	170	23	107
I250x125x7.5t	125	195	35.5	132
I 250x125x10t	125	195	35.5	132
I 300x150x10t	150	220	48	157
I 400x150x10t	150	220	48	157
I 450x175x13t	175	245	60.5	182

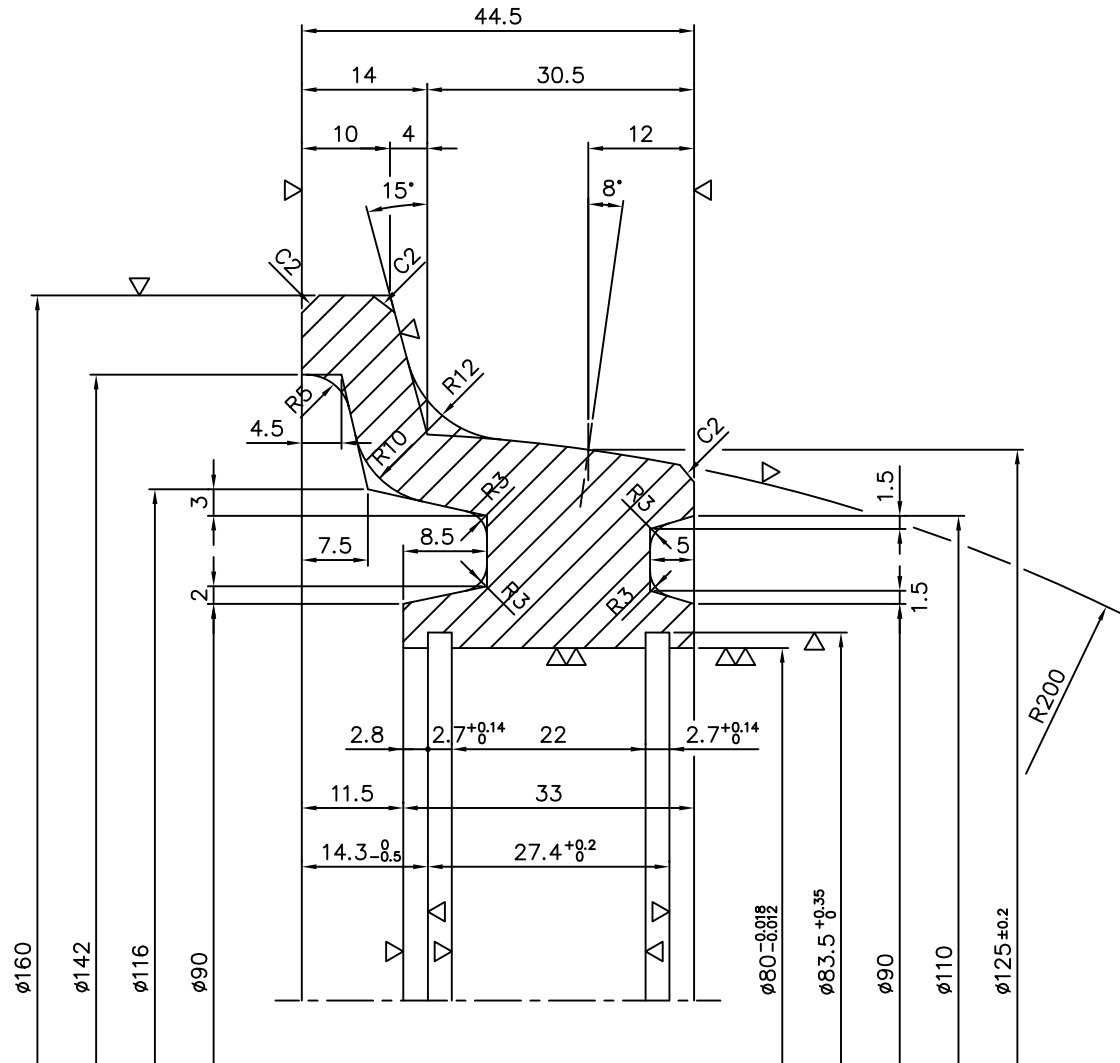
NO.	DESCRIPTIONS	MAT'L	Q'TY	WEIGHT KG.		REMARKS.
				UNIT	TOTAL	
	ASS'Y OF FOLLOWING WHEEL	-	2			
1	FOLLOWING WHEEL	S45CN	4			PA300467
2	WHEEL SHAFT	S45CN	4			PA300468
3	BEARING COVER A	SPC	4			PA300472
4	BEARING COVER B	SPC	4			PA300472
5	KEY PLATE	SS41	4			PA300473
6	BEARING	PUR-CHASE	4			#6307ZZ
7	SNAP RING	PUR-CHASE	8			R80
8	SNAP RING	PUR-CHASE	4			S35
9	BOLT,SW	4T	8			M12x20 <sup>L</sup> x20 <sup>Ø</sup>

DATE : 2014. 02	SCALE : N/S	DRAWING No. : JD-SUS125-F	
DRAWN BY J. H. SWAK	DESIGNED BY J. H. SWAK	CHECKED BY	APPROVED BY D. J. SEN
PROJECT TITLE TRAVELLING FOLLOWING DRAWING		DRAWING TITLE Ø125	



JINDO HOIST CRANE.CO.LTD

~( ,▽▽ )

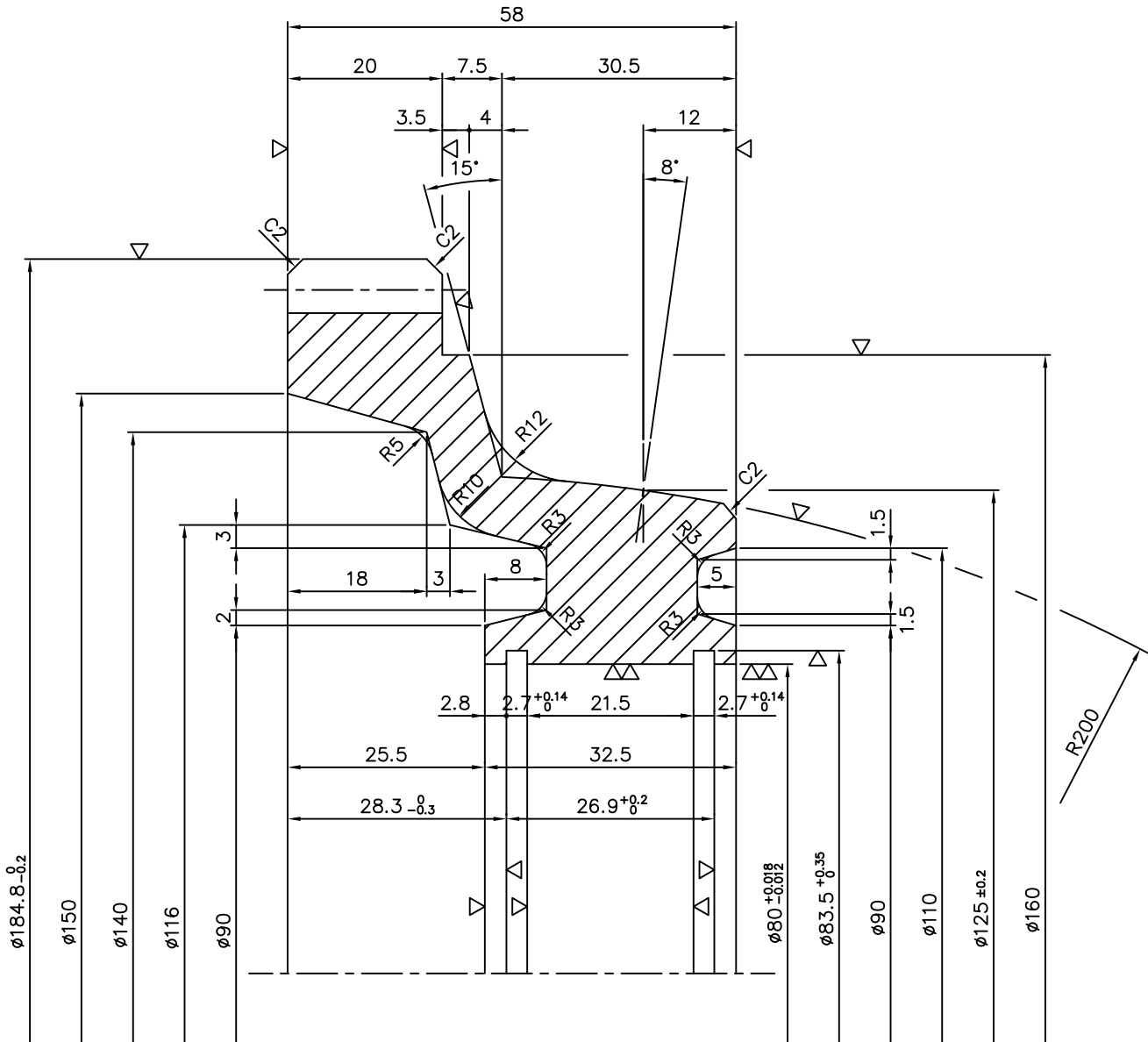


NO.	DESCRIPTIONS	MAT'L	Q'TY	WEIGHT KG.		REMARKS.															
				UNIT	TOTAL																
1	FOLLOWING WHEEL	S45CN	4	8.4	33.6	$\phi 165 \times 50L$															
<table border="0" style="width: 100%;"> <tr> <td style="width: 25%;">DATE : 2014. 02</td> <td style="width: 25%;">SCALE : N/S</td> <td colspan="3">DRAWING No. : JD-SUS125-F1</td> </tr> <tr> <td>DRAWN BY <i>J. H. SWAK</i></td> <td>DESIGNED BY <i>J.H. SWAK</i></td> <td>CHECKED BY</td> <td colspan="2">APPROVED BY <i>D. J. SEN</i></td> </tr> <tr> <td colspan="2">PROJECT TITLE TRAVELLING FOLLOWING DRAWING</td> <td colspan="3">DRAWING TITLE <math>\phi 125</math></td> </tr> </table>							DATE : 2014. 02	SCALE : N/S	DRAWING No. : JD-SUS125-F1			DRAWN BY <i>J. H. SWAK</i>	DESIGNED BY <i>J.H. SWAK</i>	CHECKED BY	APPROVED BY <i>D. J. SEN</i>		PROJECT TITLE TRAVELLING FOLLOWING DRAWING		DRAWING TITLE $\phi 125$		
DATE : 2014. 02	SCALE : N/S	DRAWING No. : JD-SUS125-F1																			
DRAWN BY <i>J. H. SWAK</i>	DESIGNED BY <i>J.H. SWAK</i>	CHECKED BY	APPROVED BY <i>D. J. SEN</i>																		
PROJECT TITLE TRAVELLING FOLLOWING DRAWING		DRAWING TITLE $\phi 125$																			



JINDO HOIST CRANE.CO.LTD

~ ( , ∇ )

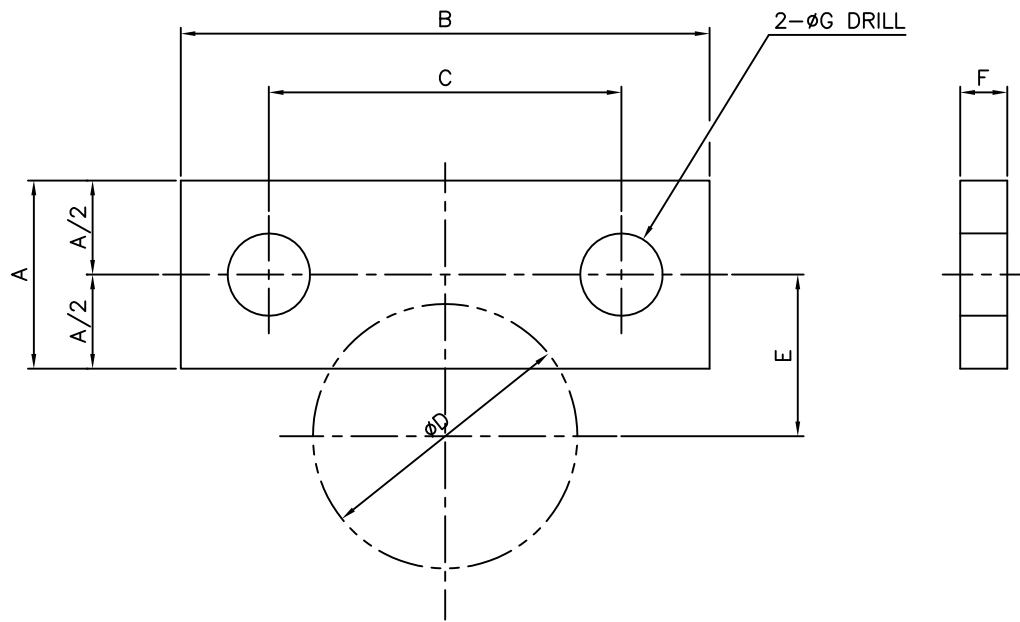


GEAR SPECIFICATION	
MODULE	4
PRESSURE ANGLE	20°
NO OF TEETH	43 T
D.O.G.N OF TEETH	(5T) $57.21_{-0.32}^{+0.08}$
A.M.P.C.D	$\phi 176.8$
A.M.C	+0.608
HARDNESS	

NO.	DESCRIPTIONS	MAT'L	Q'TY	WEIGHT KG.		REMARKS.
				UNIT	TOTAL	
1	DRIVING WHEEL	S45CN	4	14	56	$\phi 190 \times 63L$
DATE : 2014. 02		SCALE : N/S		DRAWING No. : JD-SUS125-D1		
DRAWN BY <i>J. H. SWAK</i>		DESIGNED BY <i>J. H. SWAK</i>		CHECKED BY		APPROVED BY <i>D. J. JIN</i>
PROJECT TITLE TRAVELLING DRIVING DRAWING				DRAWING TITLE $\phi 150$		



JINDO HOIST CRANE.CO.LTD

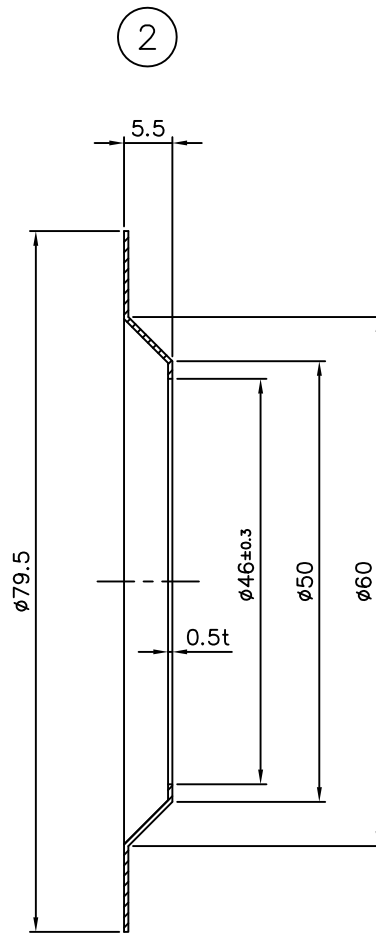
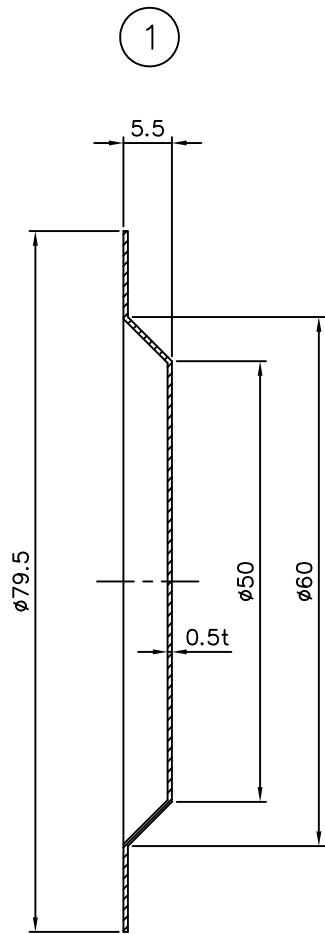


WHEEL \ NOTATION	A	B	C	D	E	F	G	WEIGHT KG/EA
ø125	32	90	60	45	27.5	8	14	0.2
ø160	32	90	60	55	32.5	8	14	0.2
ø180	38	120	80	70	40	8	18	0.3

NO.	DESCRIPTIONS	MAT'L	Q'TY	WEIGHT KG.		REMARKS.
				UNIT	TOTAL	
1	KEY PLATE	SS41	4			
DATE : 2014. 02		SCALE : N/S		DRAWING No. : JD-SUS125-K		
DRAWN BY <i>J. H. SWAK</i>		DESIGNED BY <i>J. H. SWAK</i>		CHECKED BY		APPROVED BY <i>D. J. SEN</i>
PROJECT TITLE TRAVELLING KEY PLATE DRAWING				DRAWING TITLE ø125		



JINDO HOIST CRANE.CO.LTD

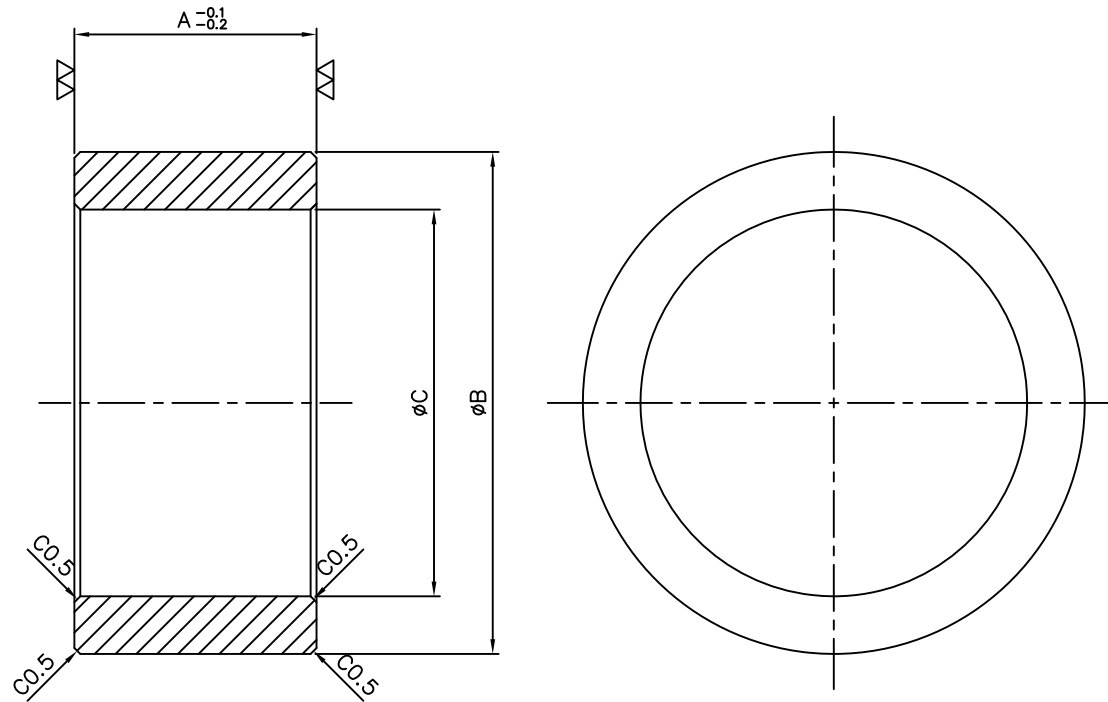


NO.	DESCRIPTIONS	MAT'L	Q'TY	WEIGHT KG.		REMARKS.
				UNIT	TOTAL	
1	BEARING COVER A	SPC	8			
2	BEARING COVER B	SPC	4			
DATE : 2014. 02		SCALE : N/S		DRAWING No. : JD-SUS125-BC		
DRAWN BY <i>J. H. SWAK</i>		DESIGNED BY <i>J. H. SWAK</i>		CHECKED BY		APPROVED BY <i>D. J. JIN</i>
PROJECT TITLE TRAVELLING BEARING COVER DRAWING				DRAWING TITLE $\phi 125$		



JINDO HOIST CRANE.CO.LTD

~ ( ∇ )



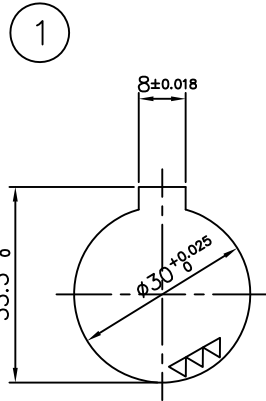
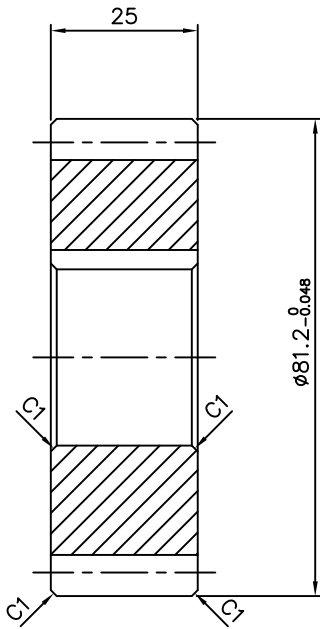
WHEEL NOTATION	A	B	C	REMARK	WEIGHT KG/EA
Ø125	20.6	42.7	32.9	1 1/4" STPT 25L	0.1
Ø160	21.6	42.7	32.9	1 1/4" STPT 25L	0.1
Ø180	23.5	60.5	49.5	2" STPT 30L	0.2

NO.	DESCRIPTIONS	MAT'L	Q'TY	WEIGHT KG.		REMARKS.
				UNIT	TOTAL	
1	COLLAR	STPT	4			S=80
DATE : 2014. 02		SCALE : N/S		DRAWING No. : JD-SUS125-C		
DRAWN BY <i>J. H. SWAK</i>		DESIGNED BY <i>J. H. SWAK</i>		CHECKED BY		APPROVED BY <i>D. F. SEN</i>
PROJECT TITLE TRAVELLING COLLAR DRAWING				DRAWING TITLE Ø125		

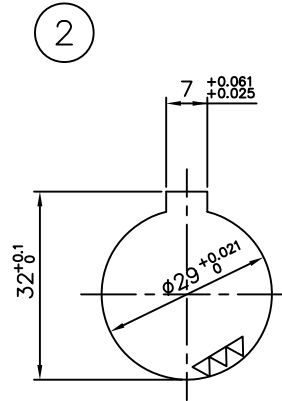


JINDO HOIST CRANE.CO.LTD

▽▽ (▽▽▽▽)



IDLE GEAR ⌘



PINION ⌘

GEAR SPECIFICATION	
MODULE	4
PRESSURE ANGLE	20°
NO OF TEETH	17 T
D.O.G.N OF TEETH	(2T) 20.44 -0.078
A.M.P.C.D	φ73.2
A.M.C	+0.65
HARDNESS	HS 55±5

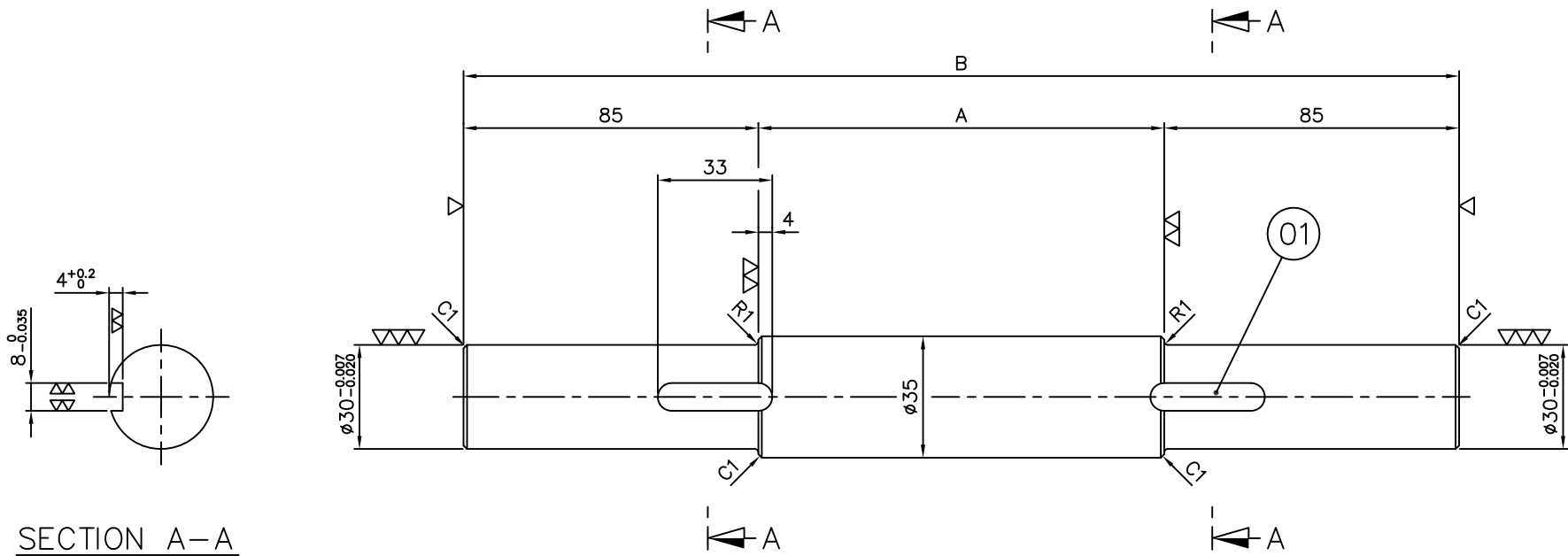
NO.	DESCRIPTIONS	MAT'L	Q'TY	WEIGHT KG.		REMARKS.
				UNIT	TOTAL	
1	IDLE GEAR	S45C	4	1.3	5.2	φ85x30L
2	PINION	S45C	2	1.3	2.6	φ85x30L
DATE : 2014. 02		SCALE : N/S		DRAWING No. : JD-SUS125-IDG		
DRAWN BY <i>J. H. SWAK</i>		DESIGNED BY <i>J. H. SWAK</i>		CHECKED BY		APPROVED BY <i>D. J. SEN</i>
PROJECT TITLE TRAVELLING IDLE GEAR DRAWING				DRAWING TITLE φ125		



JINDO HOIST CRANE.CO.LTD



~ ( ,▽▽,▽▽▽ )




SECTION A-A

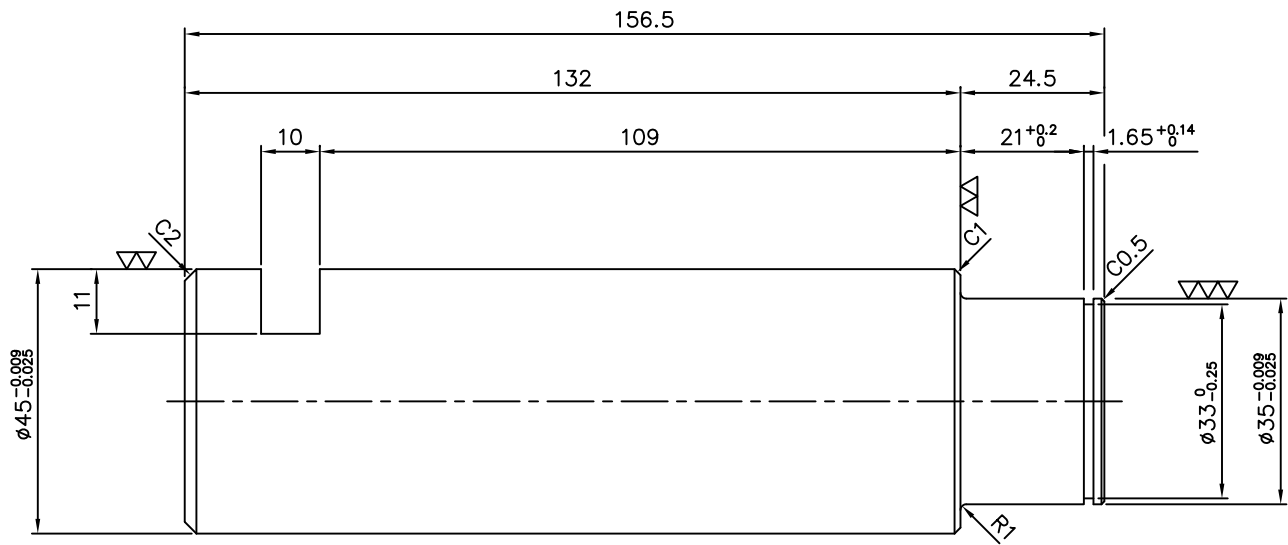
I-BEAM	NOTATION	A	B	WEIGHT KG/EA
I 200x100x7t		117	287	2.2
I 250x125x7.5t		142	312	2.4
I 300x150x10t		167	337	2.6
I 450x175x13t		192	362	2.8

NO.	DESCRIPTIONS	MAT'L	Q'TY	WEIGHT KG.		REMARKS.
				UNIT	TOTAL	
1	IDLE GEAR SHAFT	S45C	2			ø35x(B+5)L
01	KEY	PUR-CHASE	4	0.01	0.04	8x7x25L
DATE : 2014. 02		SCALE : N/S		DRAWING No. : JD-SUS125-ID		
DRAWN BY <i>J. H. SWAK</i>		DESIGNED BY <i>J. H. SWAK</i>		CHECKED BY		APPROVED BY <i>D. J. SEN</i>
PROJECT TITLE TRAVELLING IDLE GEAR SHAFT DRAWING				DRAWING TITLE ø125		



JINDO HOIST CRANE.CO.LTD

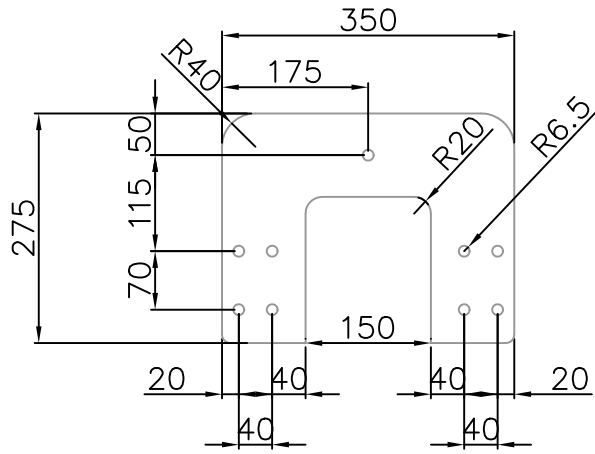
(  )



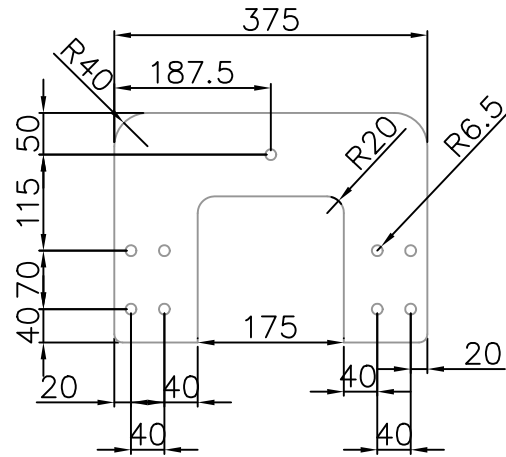
NO.	DESCRIPTIONS	MAT'L	Q'TY	WEIGHT KG.		REMARKS.
				UNIT	TOTAL	
1	WHEEL SHAFT	S45CN	8	2.5	20	$\phi 50 \times 160L$
DATE : 2014. 02		SCALE : N/S		DRAWING No. : JD-SUS125-S		
DRAWN BY <i>J. H. SWAK</i>		DESIGNED BY <i>J. H. SWAK</i>		CHECKED BY		APPROVED BY <i>D. F. SEN</i>
PROJECT TITLE TRAVELLING SHAFT DRAWING				DRAWING TITLE $\phi 125$		



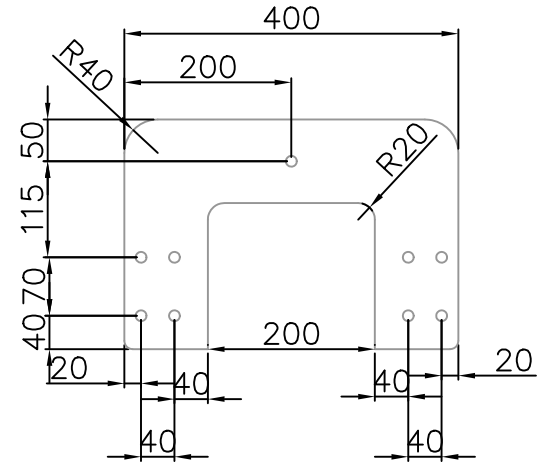
JINDO HOIST CRANE.CO.LTD



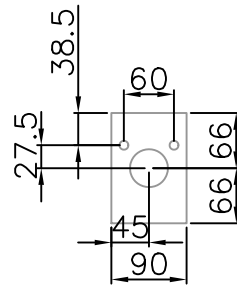
U/PL 9T 275x350  
I/B 200 x 100용 4EA



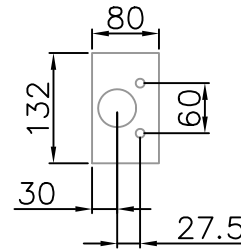
U/PL 9T 275x375  
I/B 250 x 125용 4EA



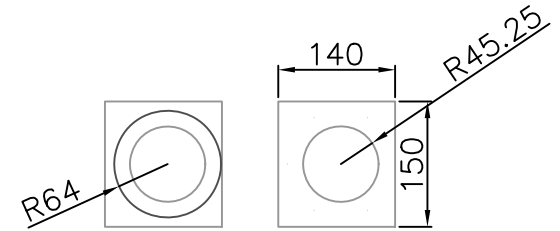
U/PL 9T 275x400  
I/B 300 x 150용 4EA



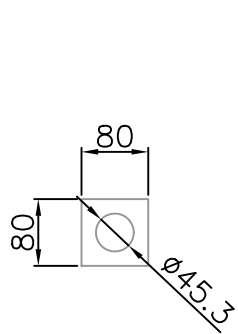
S/PL 9T  
90x132 6EA



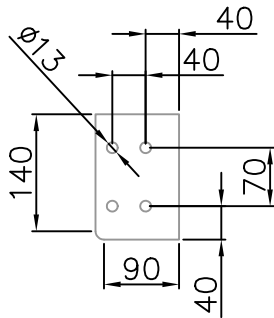
S/PL 9T  
80x132 2EA



M/P15T  
140x150 2EA



S/P 9T  
80x80 8EA



U/P보강 9T  
90x140 8EA

PLATE	S45CN	JD-125-S	
DATE : 2024. 09	SCALE : N/S	DRAWING No. : JD-125-S	
DRAWN BY S,Y	DESIGNED BY J,H,GWAK	CHECKED BY	APPROVED BY D,J,SIN
PROJECT TITLE PLATE DRAWING		DRAWING TITLE ø125	



JINDO HOIST CRANE.CO.LTD