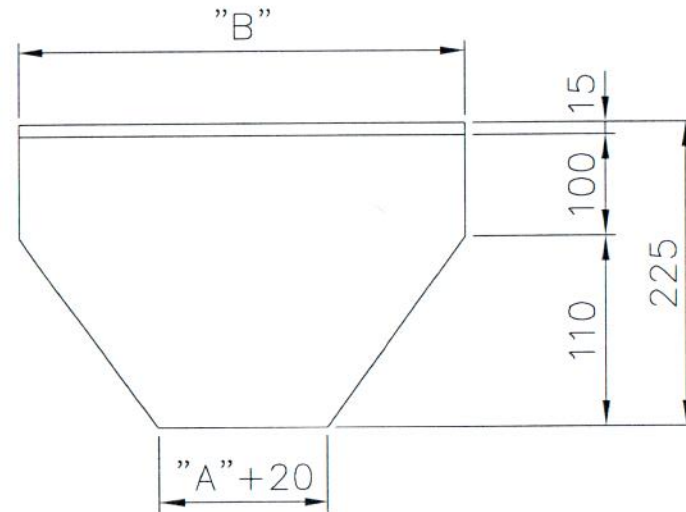
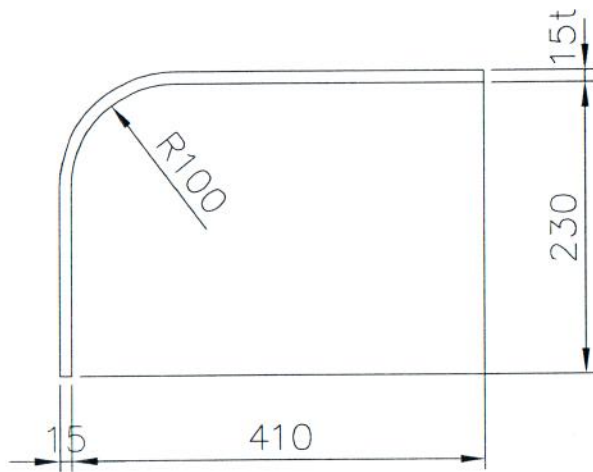


SPECIFICATION	
"A" GIRDER WIDTH	"B" PLATE WIDTH
300~350	480
370~400	540
450~500	640



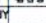



NO.	DESCRIPTION	MT'L	QTY	WEIGHT KG	REMARK

NO.	DATE	REVISION	NO.	DATE	REVISION	NOTE
1			1			
2			2			
3			3			

제작사

 **JIN DO** MACHINERY CO.

DRAWN BY   
 DESIGNED BY   
 CHECKED BY   
 APPROVED BY 

SUBJECT  $\phi 200$  use  
 PROJECT DETAIL OF DOUBLE

SCALE N/S  
 DATE 2015. 7.  
 PROJECT NO. JD-01  
 DRAWING NO. 0/A