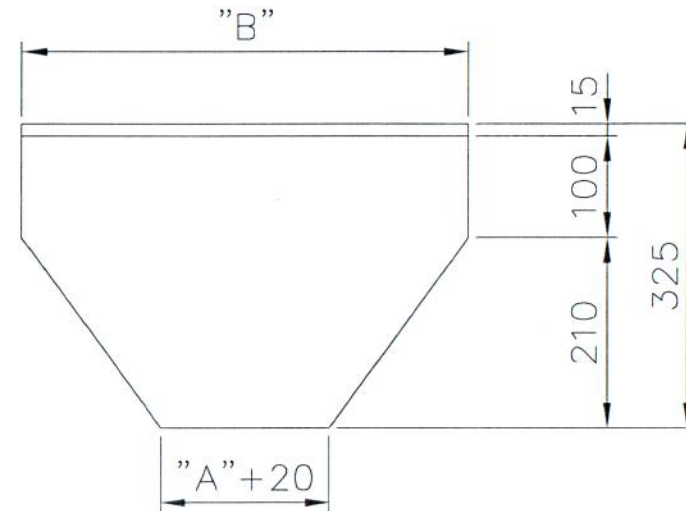
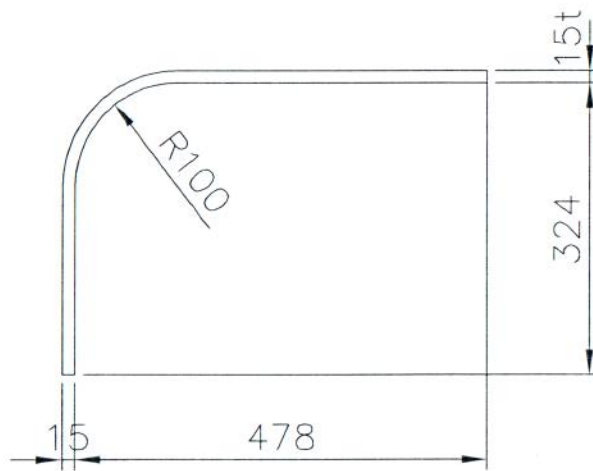


SPECIFICATION	
"A" GIRDER WIDTH	"B" PLATE WIDTH
300~350	480
370~400	540
450~500	640



NO.	DATE	REVISION	NO.	DATE	REVISION
1			1		
2			2		
3			3		

NOTE

제작사

JIN DO MACHINERY CO.

DRAWN BY:
 DESIGNED BY:
 CHECKED BY:
 APPROVED BY:

SUBJECT: $\phi 315$ use
 PROJECT: DETAIL OF DOUBLE

NO.	DESCRIPTION	MT'L	QTY	WEIGHT KG	REMARK

SCALE: N/S DATE: 2015. 7.

PROJECT NO.: JD-03 DRAWING NO.: 0/C