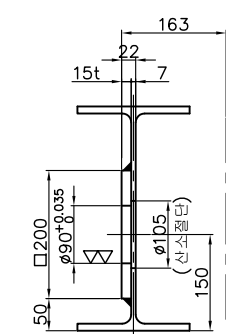
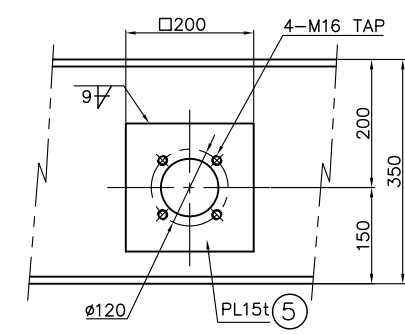


A	B	C	REMARKS
3000	3850	G R E I D E R	H-350x175x7/11t
3500	4350		
4000	4850		
4500	5350		H-400x200x8/13t
5000	5850		



* 제작수량 2 조중 1 조는 대칭제작할 것

NO	DESCRIPTION	MT'L	SUB QTY	TOTAL	SUB WEIGHT(KG)	TOTAL WEIGHT(KG)	REMARKS
7	PL15t-200x200	SS400	2				
6	PL15t-520x265	SS400	2				
5	PL15t-200x200	SS400	4				
4	PL12t-114x100	SS400	4				
3	PL12t-350x464	SS400	4				
2	PL12t-280x325	SS400	6				
1	H-350x175x7/11t	SS400	4				

SECTION A-A'

VIEW B-B'

PROJECT		DATE	
		2017. 02. .	
TITLE		SCALE	
BD-ø400		1 / 1	
DRAWING		SHEET NO	
DESIGN	CHECKED	APPROVED	
DRAWING NO		DRAWING NO	
BD-400-01-1		BD-400-01-1	

JIN DO MACHINERY CO.