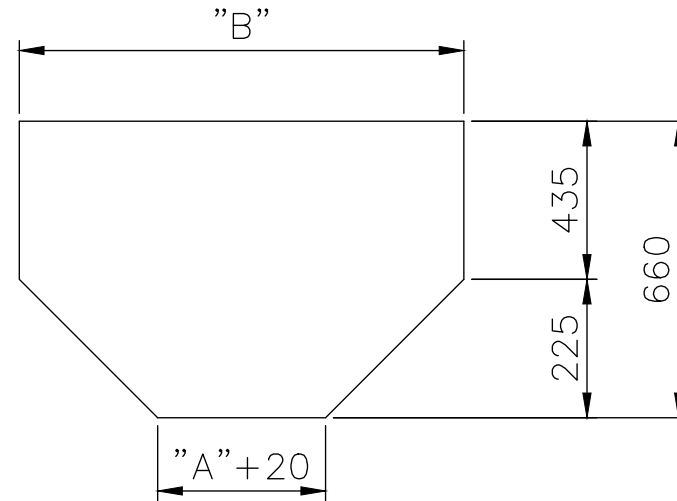
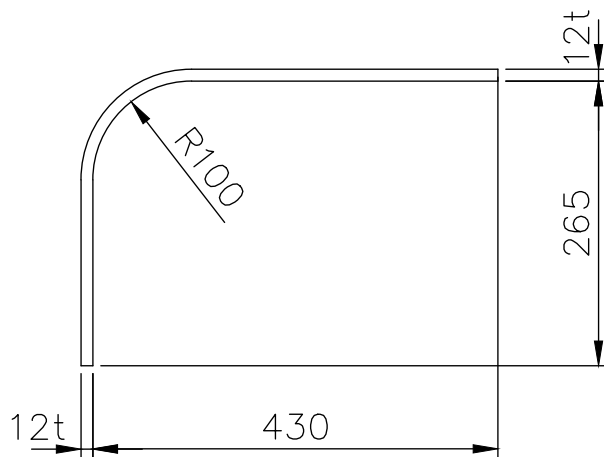


SPECIFICATION	
GIRDER WIDTH	"B" PLATE WIDTH
6t × 3' × 6'	410
6t × 4' × 8'	450
6t × 5' × 10'	510
"A" = I-BEAM WIDTH	



NO.	DESCRIPTION	M <sup>3</sup> L	QT <sup>Y</sup>	WEIGHT KG	REMARK

NO.	DATE	REVISION	NO.	DATE	REVISION	NOTE
1			1			
2			2			
3			3			

제작사

JIN DO MACHINERY CO.

DRAWN BY 문상복  
 DESIGNED BY 김태준  
 CHECKED BY 김찬영  
 APPROVED BY

SUBJECT ø250 use  
 PROJECT DETAIL OF SINGLE

SCALE N/S  
 DATE 2015. 7.  
 PROJECT NO. JD-05  
 DRAWING NO. 01E