

NOTE
 1. 지시와 용접부는 모재 유계의 70% 연속 용접할것.
 2. MAIN PLATE 및 I-BEAM의 맞대기 연결부는 서로 겹치치 않도록 할것. (200MM이상 유저)

TOTAL WEIGHT : 2180 KG

NO	DESCRIPTION	MT'L	QTY	WEIGHT KG	REMARK
12	H.T B/N 2-P/W	F10T	16		M16x65L
11	9t x 200 x 200	SS400	4	11	
10	9t x 200 x 200	SS400	4	11	
9	L-75x6t-1400L	SS400	4	38	
8	F.B 50x6t x 6000	SS400	3.2	55	
7	6t x 610 x 13204	SS400	1	379	
6	6t x 1219 x 13138	SS400	1	754	
5	I-300x150x10/18.5t	SS400	1	861	13138L
4	12t x 500 x 610	SS400	2	57	
3	6t x 288 x 500	SS400	2	14	
2	H.T B/N 8T/W 2-P/W	F10T	30		M16x65L
1	H.T B/N 5T/W 2-P/W	F10T	12		M16x65L
NO	DESCRIPTION	MT'L	QTY	WEIGHT KG	REMARK

NO.	DATE	REVISION	NO.	DATE	REVISION	NOTE
1			1			
2			2			
3			3			

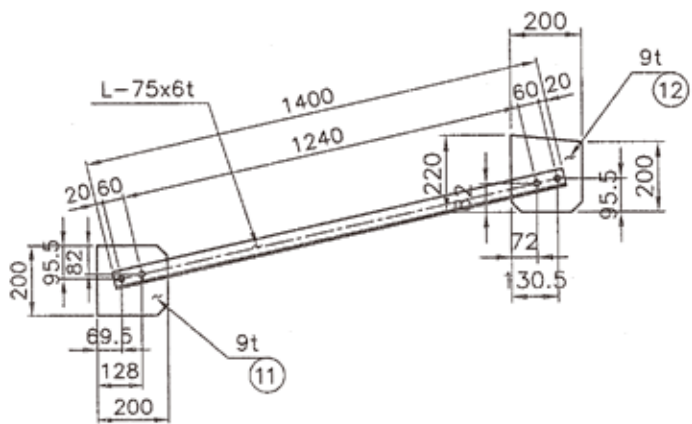
계량사

JIN DO MACHINERY CO.

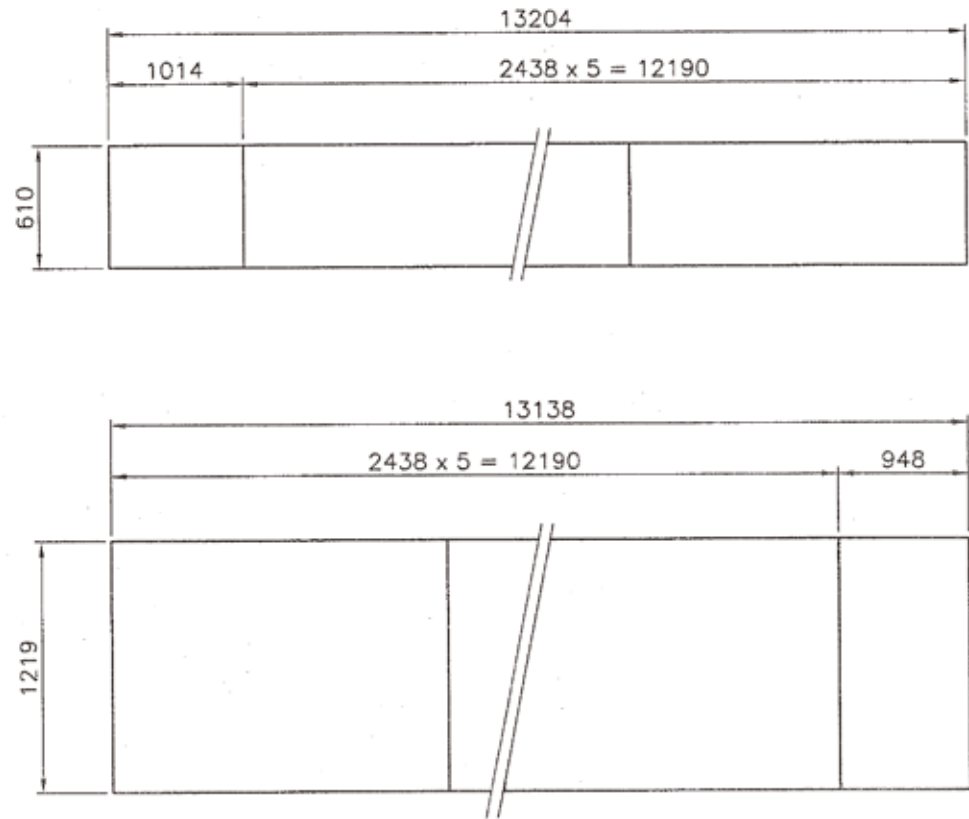
DRAWN BY: 김성민 / 2017
 DESIGNED BY: 김성민 / 2017
 CHECKED BY: 김성민 / 2017
 APPROVED BY:

DETAIL OF SINGLE GIRDER
 5 TON x SPAN 13 M 000

SCALE: N/S
 DATE: 2017. 12.
 PROJECT NO: JD-5-13
 DRAWING NO: 01A



⑩ DETAIL



CUTTING PLAN

NO.	DATE	REVISION	NO.	DATE	REVISION	NOTE
1			1			
2			2			
3			3			

제조사

 **JIN DO** MACHINERY CO.

DRAWN BY: 김성재
 DESIGNED BY: 김석중
 CHECKED BY: 김성환
 APPROVED BY: 김성환

CUTTING PLAN

5 TON x SPAN 13 M 000

SCALE	DATE
N/S	2017. 12.
PROJECT NO.	DRAWING NO.
JD-5-13	01B

