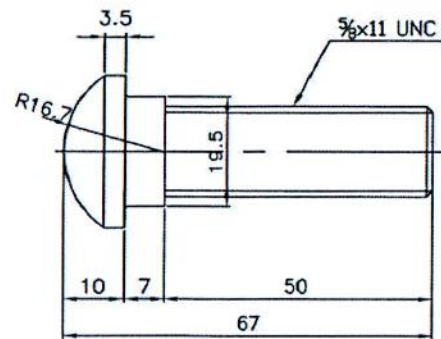
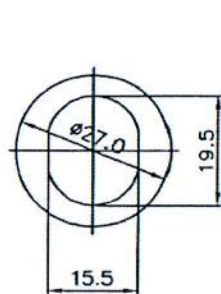
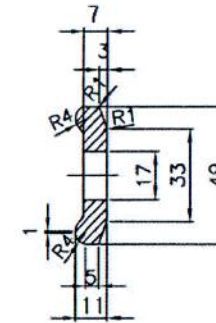
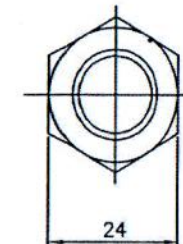
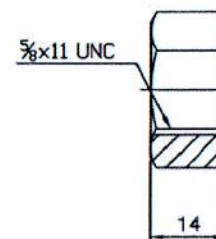


Rail Joint Bar



Rail Joint Bolt



Rail Joint Nut

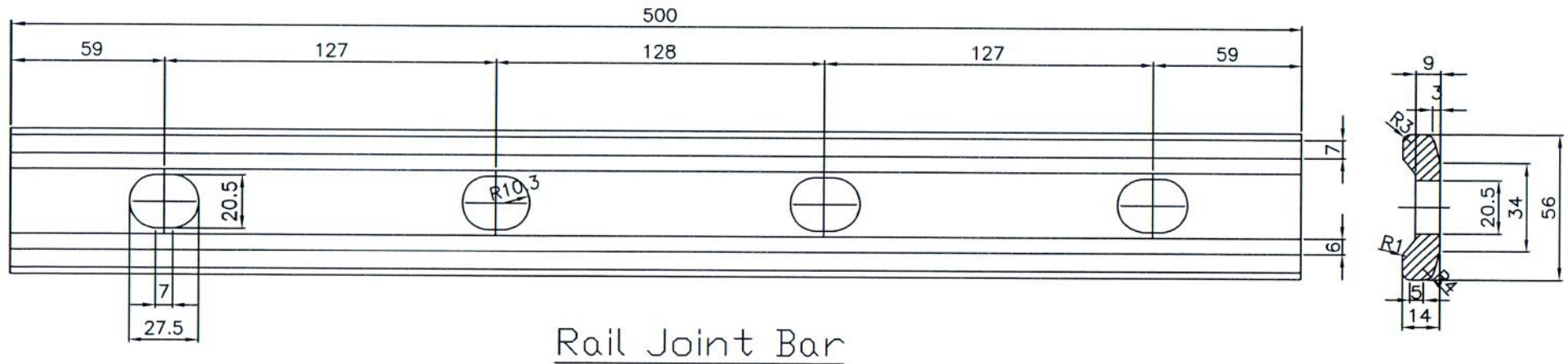
NO.	DATE	REVISION	NO.	DATE	REVISION	NOTE
1			1			
2			2			
3			3			

제약사  **JIN DO** MACHINERY CO.

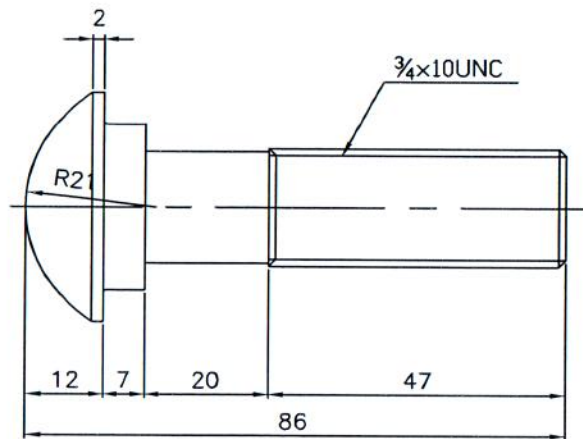
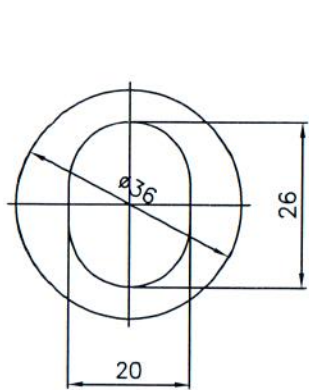
DRAWN BY: 김성민
 DESIGNED BY: 김성민
 CHECKED BY: 김성민
 APPROVED BY: 김성민

SUBJECT: 15 KG/M
 PROJECT: RAIL JOINT

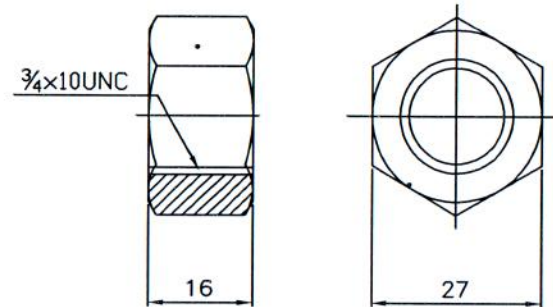
SCALE: N/S
 DATE: 2012. 8.
 PRODUCT NO.: JD-000
 DRAWING NO.: 0 | A |



Rail Joint Bar



Rail Joint Bolt



Rail Joint Nut

NO.	DATE	REVISION	NO.	DATE	REVISION	NOTE
1			1			
2			2			
3			3			

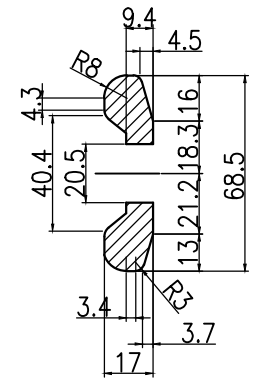
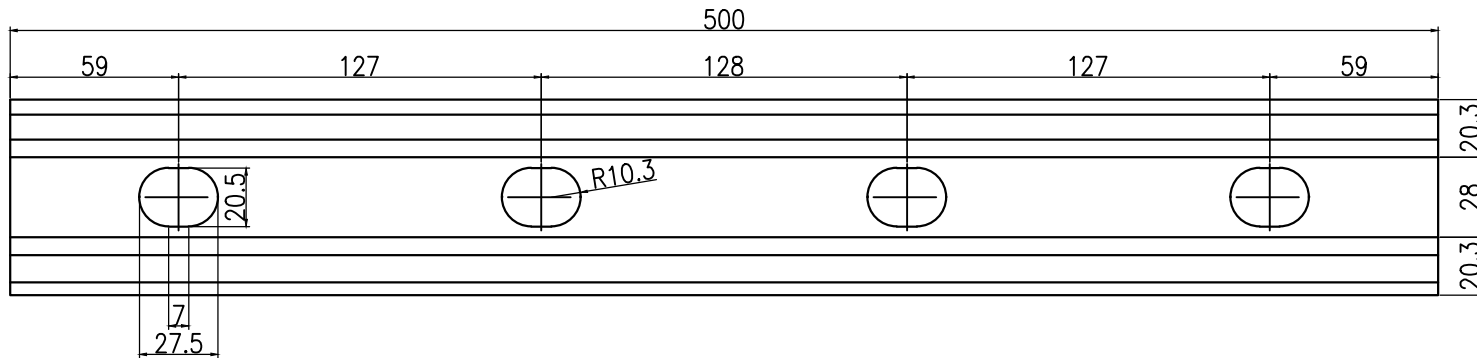
제작사



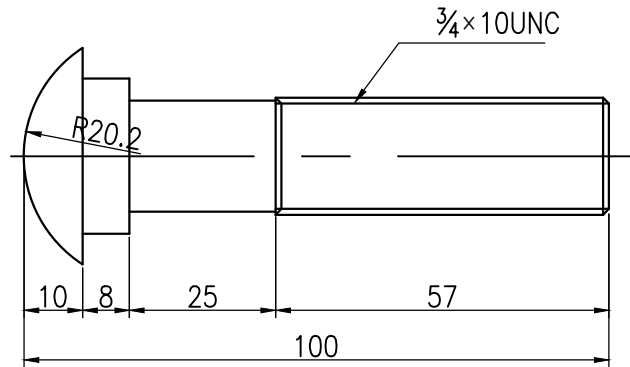
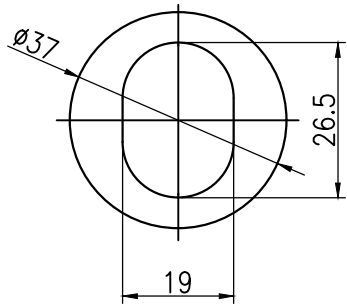
DRAWN BY	문성희	DESIGNED BY	김태훈
CHECKED BY	김찬영	APPROVED BY	

SUBJECT	22 KG/M
PROJECT	RAIL JOINT

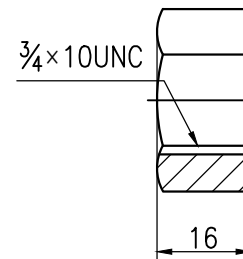
SCALE	N/S	DATE	2012. 8.
PROJECT NO.	JD-000	DRAWING NO.	01B



Rail Joint Bar



Rail Joint Bolt



Rail Joint Nut

NO	DATE	REVISION	NO	DATE	REVISION	NOTE
1			1			
2			2			
3			3			

제작사



JIN DO MACHINERY CO.

DROWN BY
DESIGNED BY
CHECKED BY
APPROVED BY

SUBJECT
PROJECT

30 KG/M

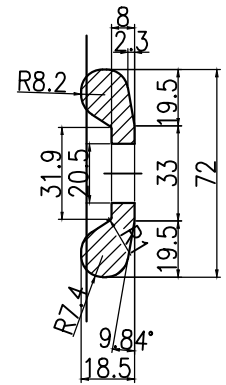
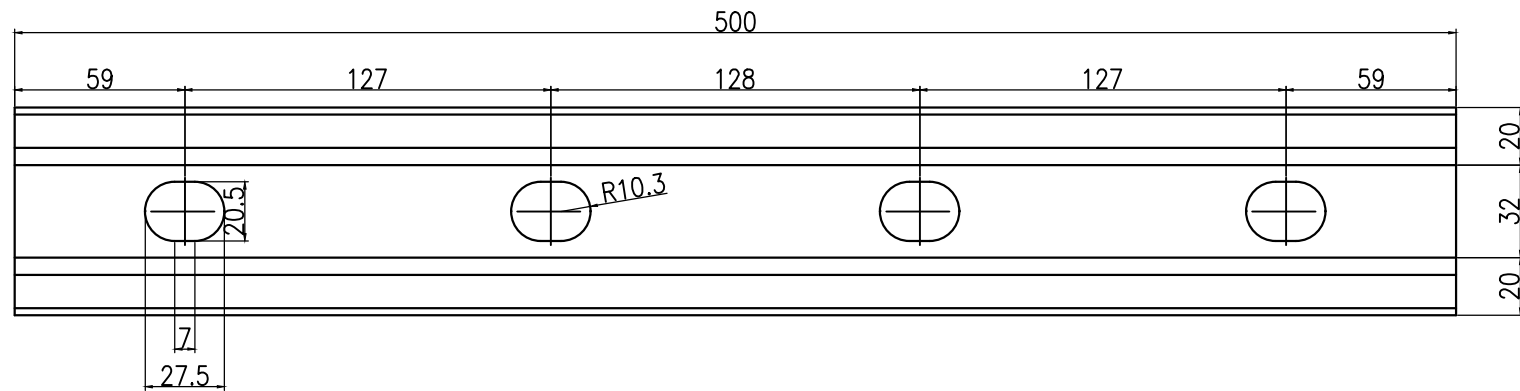
RAIL JOINT

SCALE
N/S

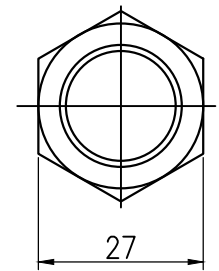
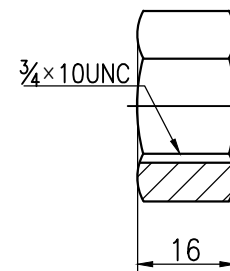
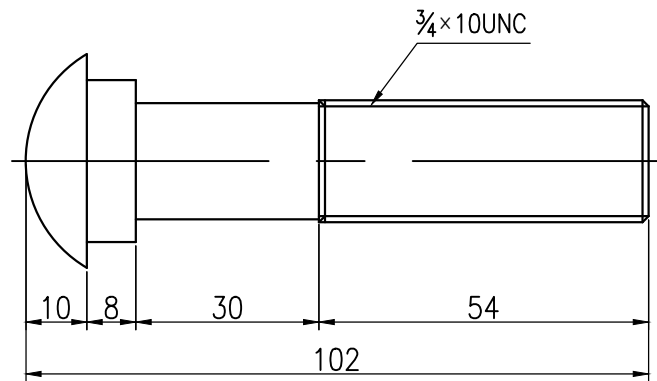
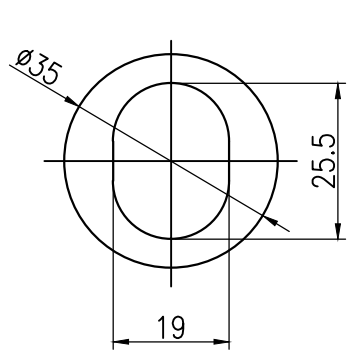
PROJECT NO.
JD-000

DATE
2023. 4.

DRAWING NO.
0 c




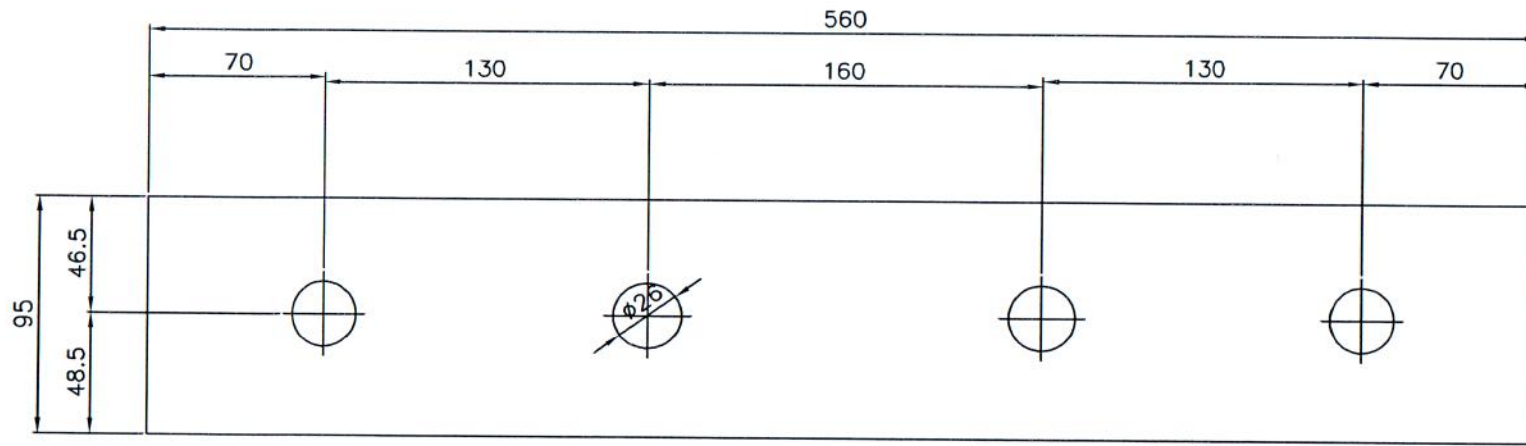
Rail Joint Bar



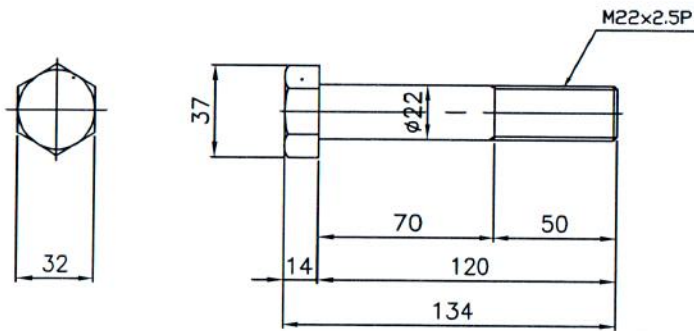
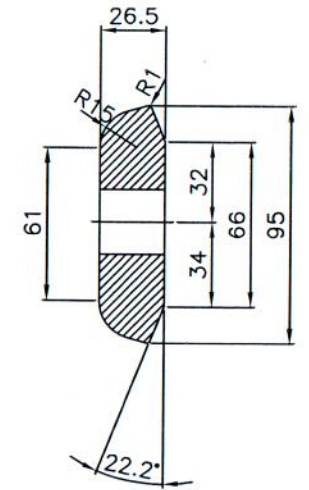
Rail Joint Bolt

Rail Joint Nut

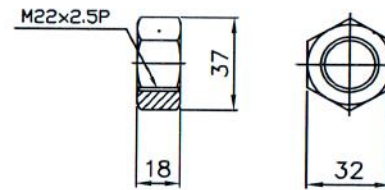
NO	DATE	REVISION	NO	DATE	REVISION	NOTE	제작사  JIN DO MACHINERY CO.	DROWN BY	SUBJECT	SCALE	DATE
1			1					DESIGNED BY	37 KG/M	N/S	2023. 4.
2			2					CHECKED BY			
3			3					APPROVED BY	PROJECT	RAIL JOINT	PROJECT NO.
										JD-000	0 c



Rail Joint Bar



Rail Joint Bolt



Rail Joint Nut

NO.	DATE	REVISION	NO.	DATE	REVISION	NOTE
1			1			
2			2			
3			3			

제작사



JIN DO MACHINERY CO.

DRAWN BY
DESIGNED BY
CHECKED BY
APPROVED BY

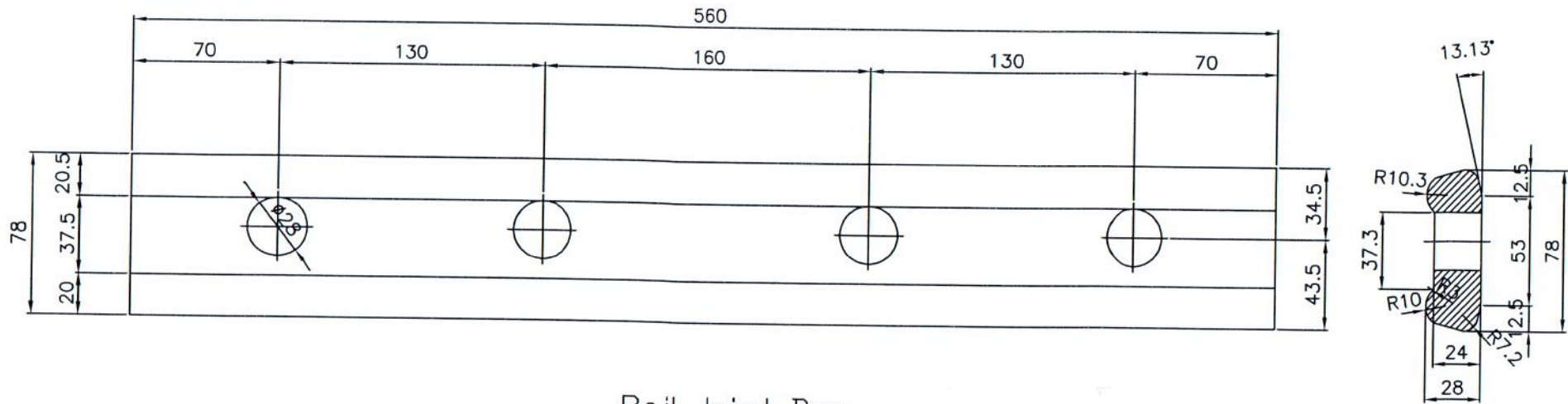
윤성복
김대훈
김찬영

SUBJECT
PROJECT

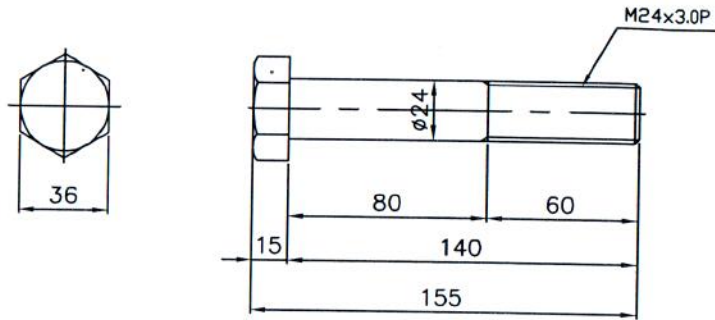
50 KG/M
RAIL JOINT

SCALE
PROJECT NO.
JD-000

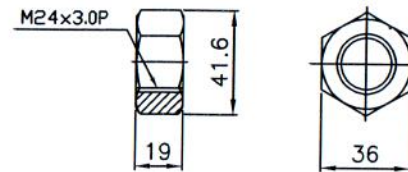
DATE
2012. 8.
DRAWING NO.
01H



Rail Joint Bar



Rail Joint Bolt



Rail Joint Nut

NO.	DATE	REVISION	NO.	DATE	REVISION	NOTE
1			1			
2			2			
3			3			

제조사	 JIN DO MACHINERY CO.	DROWN BY: 문상복 DESIGNED BY: 김태호 CHECKED BY: 김찬영 APPROVED BY:	SUBJECT: 73 KG/M PROJECT: RAIL JOINT	SCALE: N/S DATE: 2012. 8. PROJECT NO.: JD-000 DRAWING NO.: 01E
-----	--	--	---	---